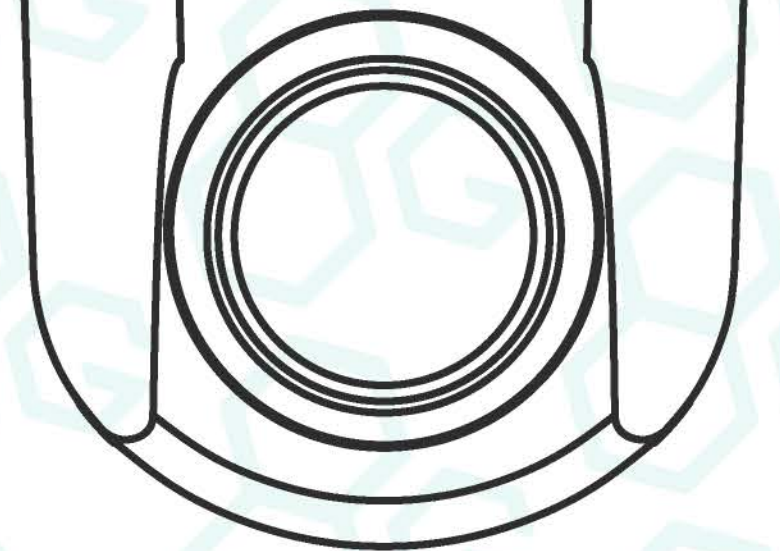


garbaruk

garbaruk

Crankset installation manual



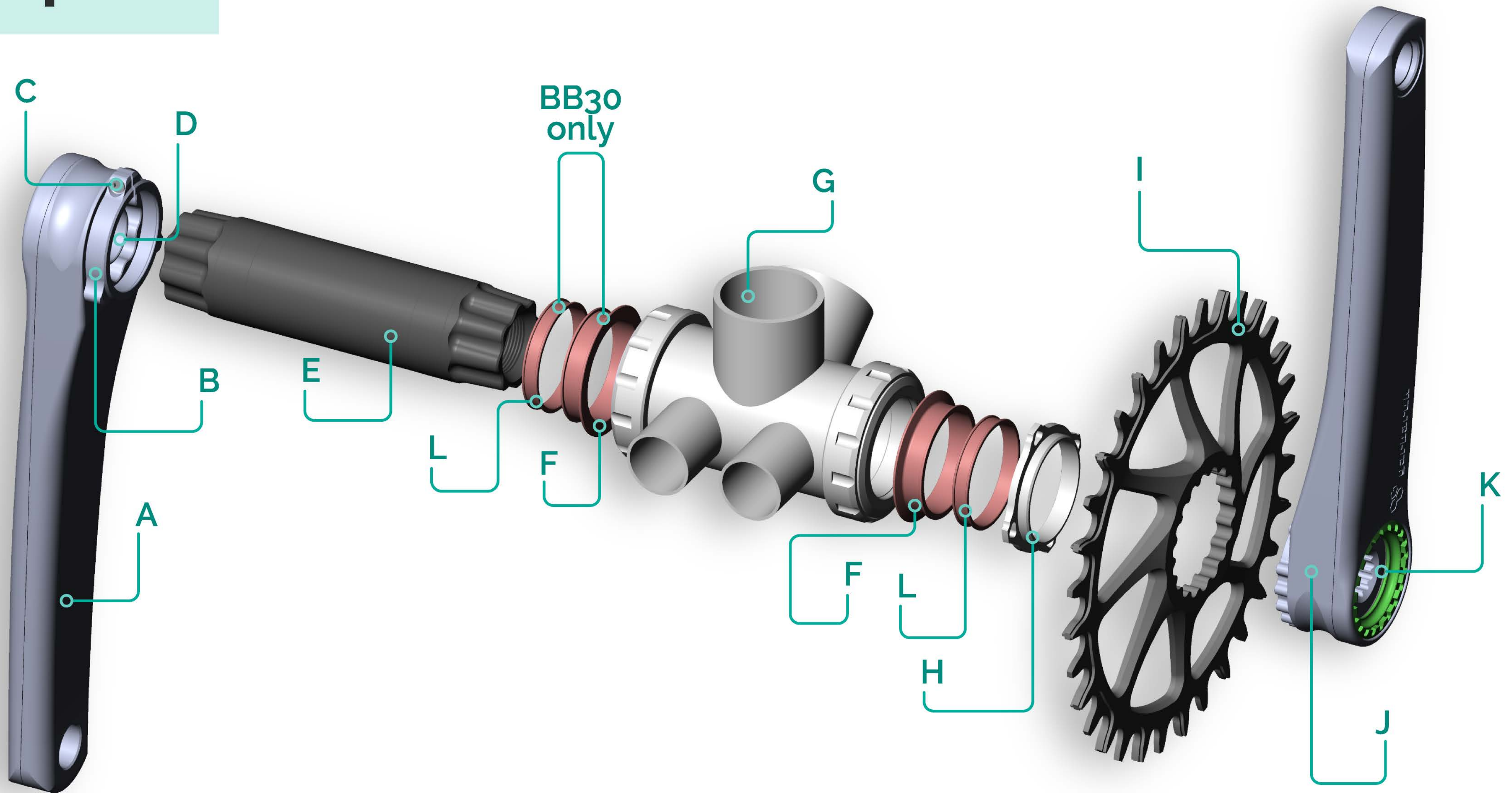
Contents

0. List of parts
1. Step One
2. Step Two
3. Step Three
4. Step Four
5. Step Five
6. Step Six
7. Step Seven
8. Bottom bracket compatibility table

Tools needed for installation:

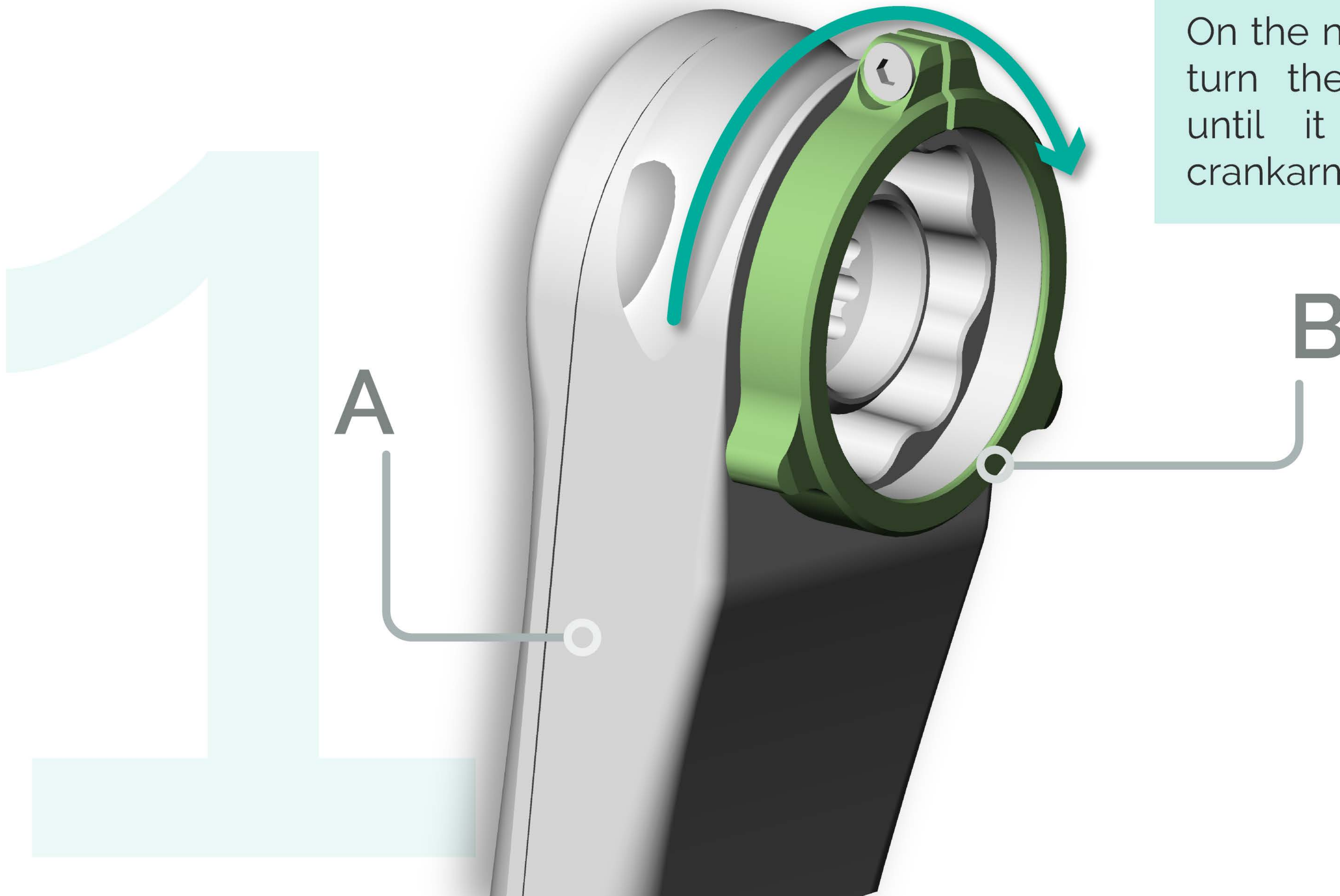
- Enduro CT-001 or Shimano TL-FC33, or similar bottom bracket tool.
- 12mm HEX key.
- 2mm HEX key.

List of parts



Step 1

On the non-driveside crankarm, turn the preload adjuster (B) until it gently touches the crankarm (A).

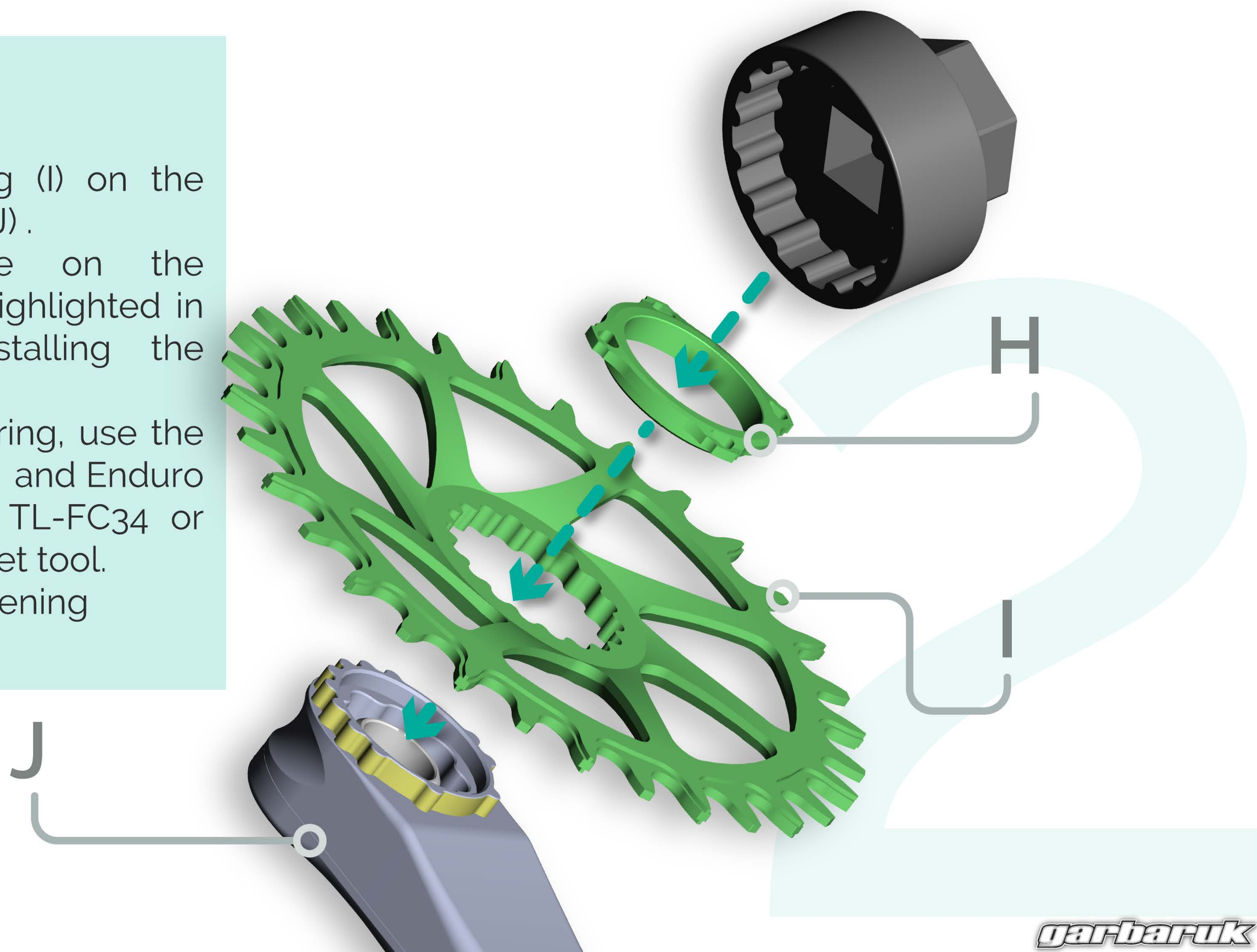


Step 2

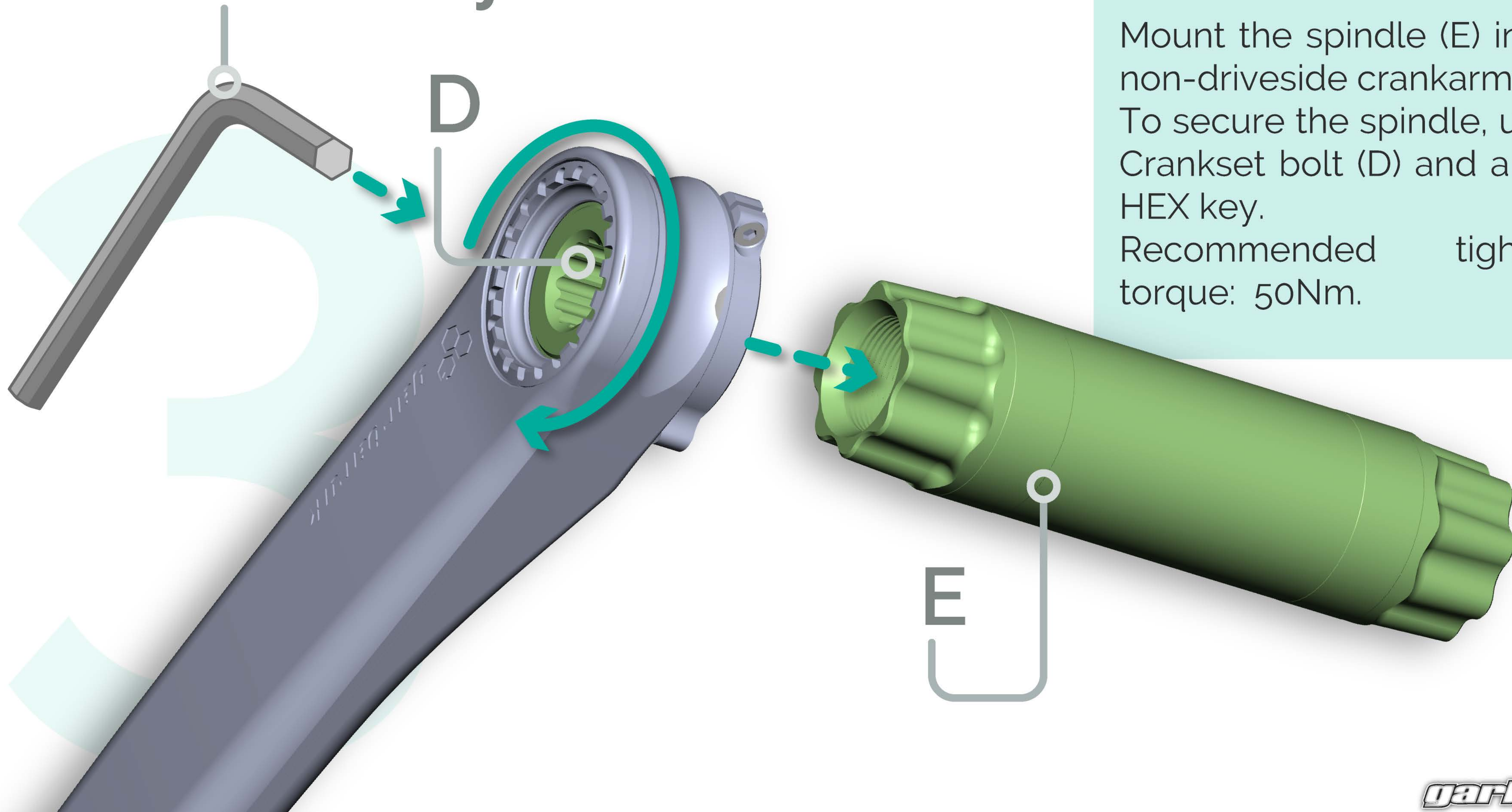
Mount the chainring (I) on the driveside crankarm (J).

Put some grease on the mounting surface (highlighted in yellow) before installing the chainring.

To secure the chainring, use the crankset lockring (H) and Enduro CT-001 / Shimano TL-FC34 or similar bottom bracket tool. Recommended tightening torque: 35Nm.



Hex key

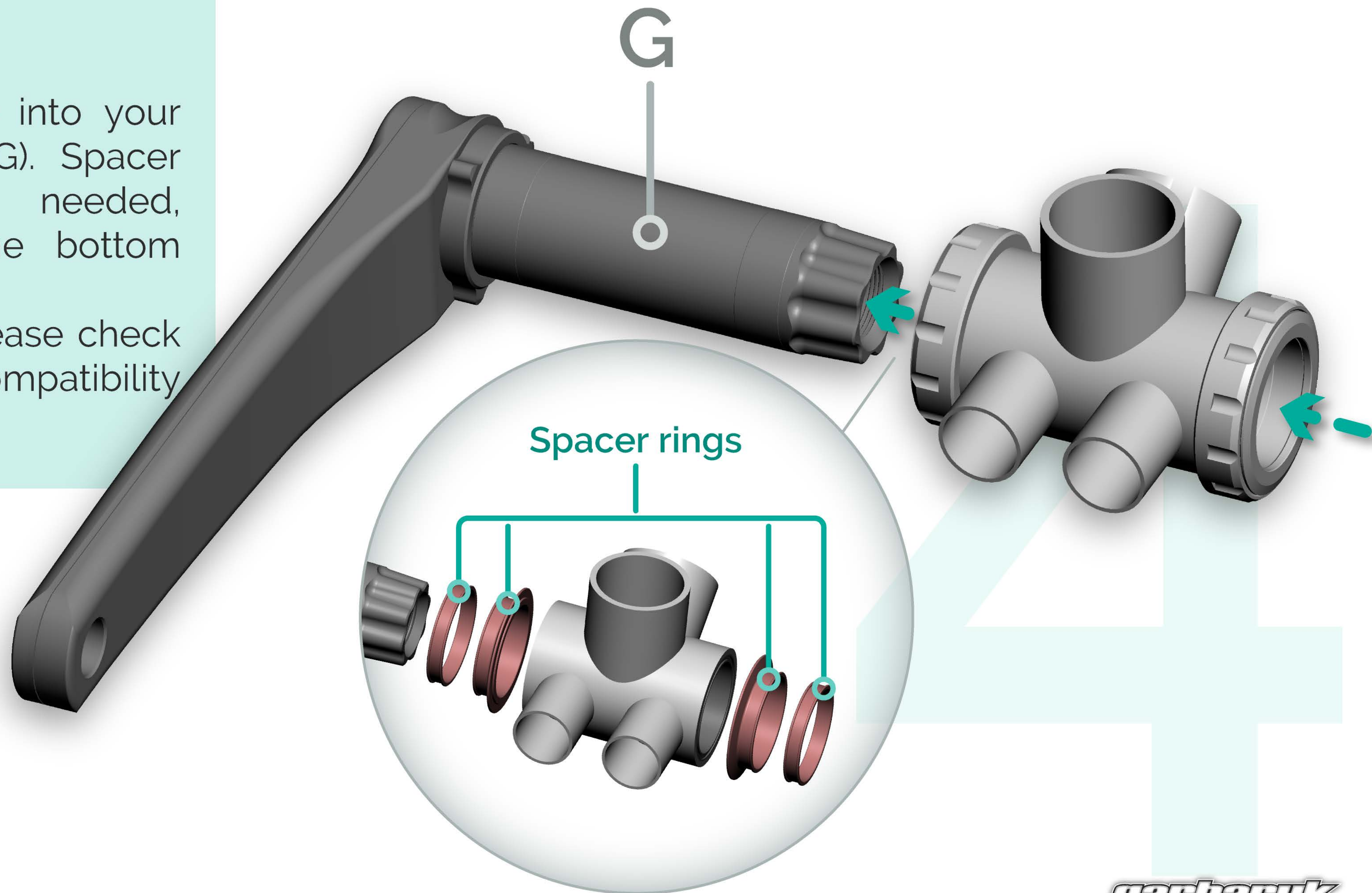


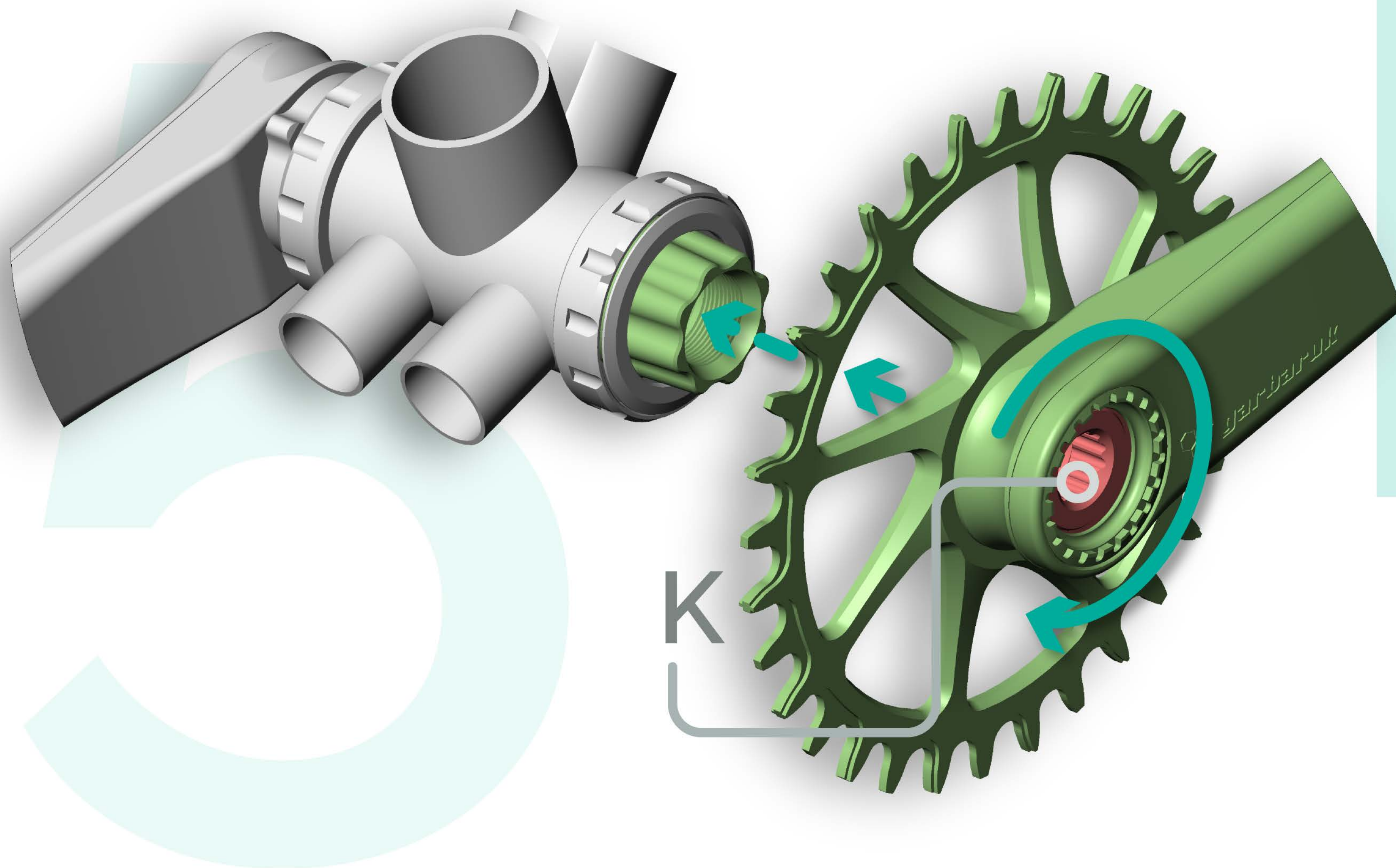
Step 3

Mount the spindle (E) into the non-driveside crankarm (E). To secure the spindle, use the Crankset bolt (D) and a 12mm HEX key. Recommended tightening torque: 50Nm.

Step 4

Insert the spindle into your bottom bracket (G). Spacer rings may be needed, depending on the bottom bracket standard. For guidance, please check "bottom bracket compatibility table" below.





Step 5

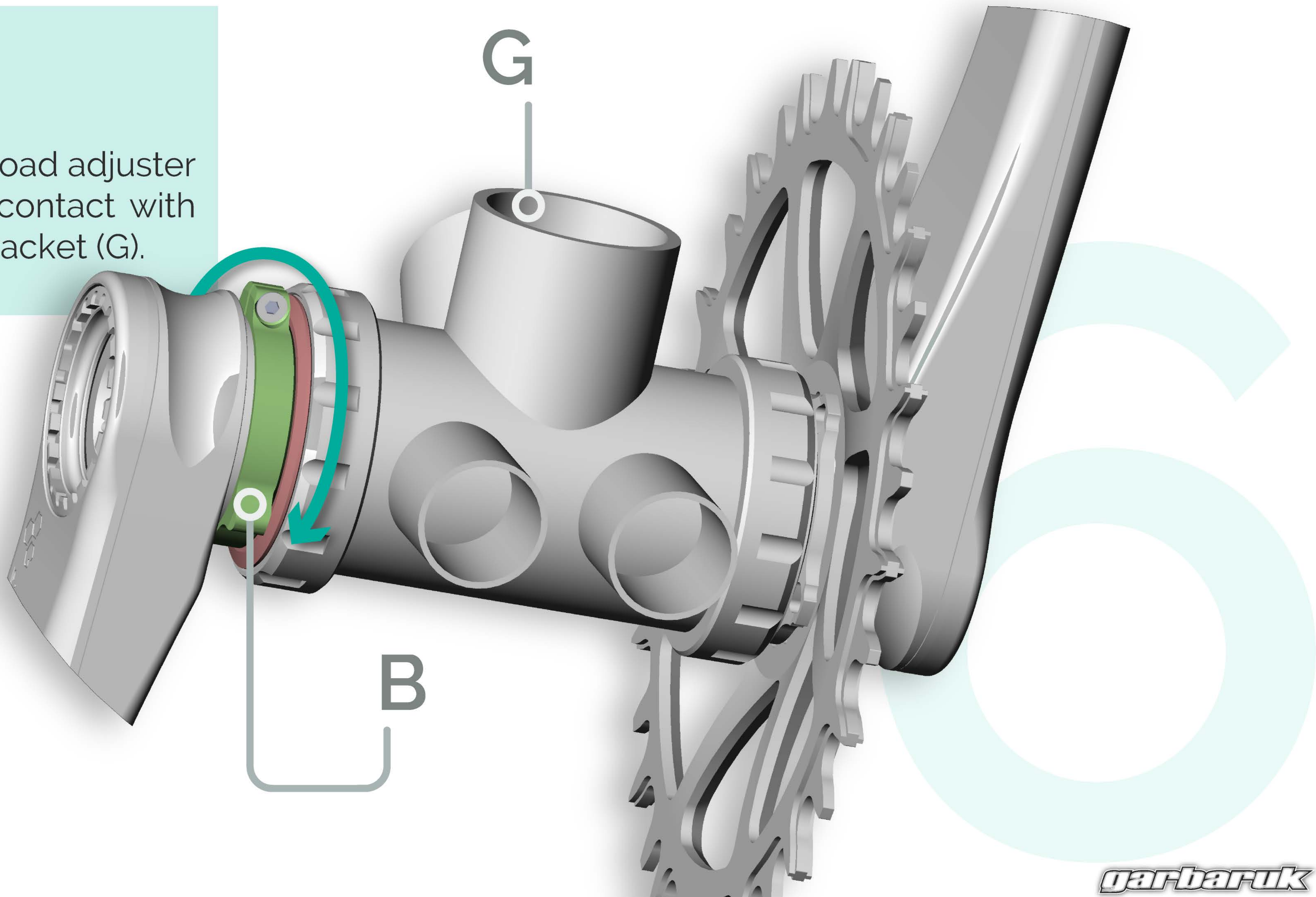
Mount the driveside crankarm. Secure by tightening the crankset bolt (K) with a 12mm HEX key.

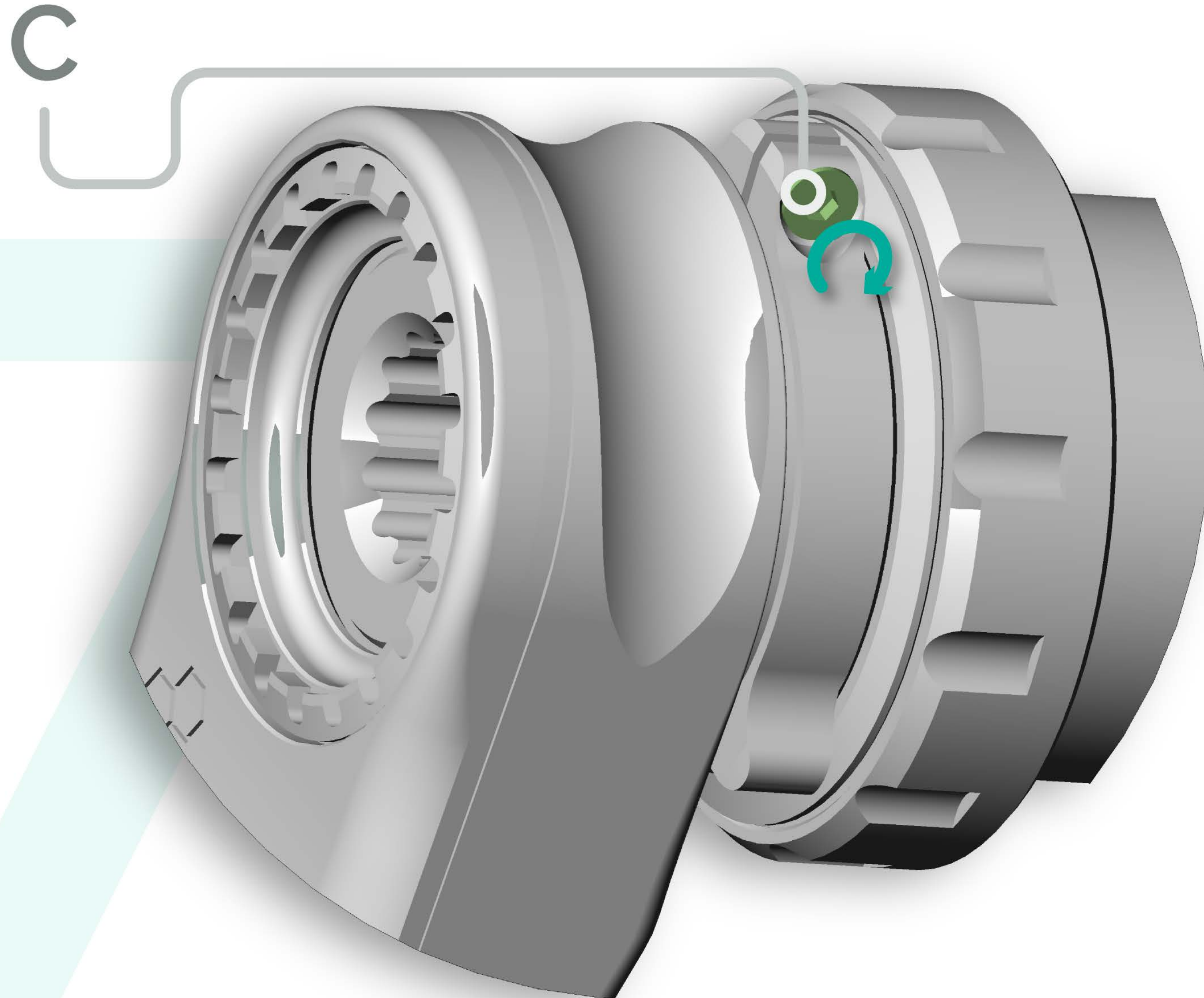
Recommended tightening torque: 50Nm.

Gently push on the crankarm in the direction of the bottom bracket to get it into the correct position.

Step 6

Rotate the preload adjuster (B) until it's in contact with your bottom bracket (G).

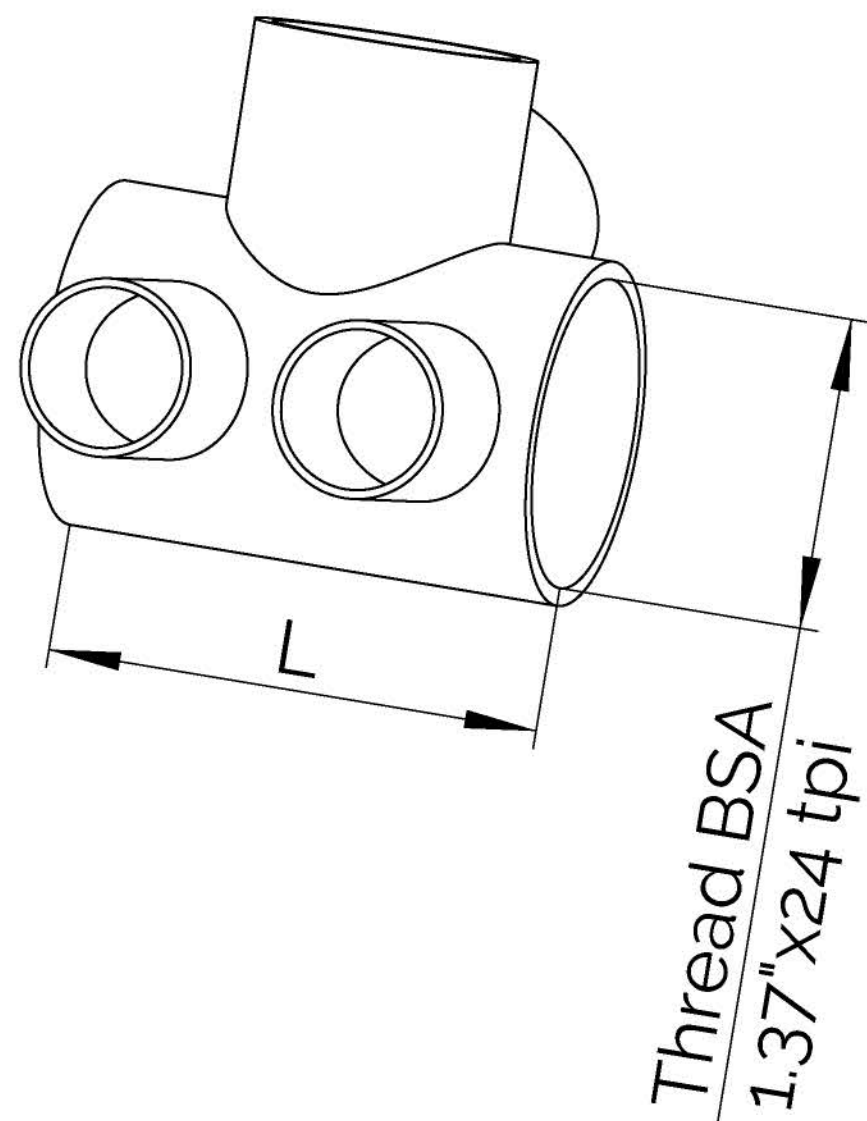




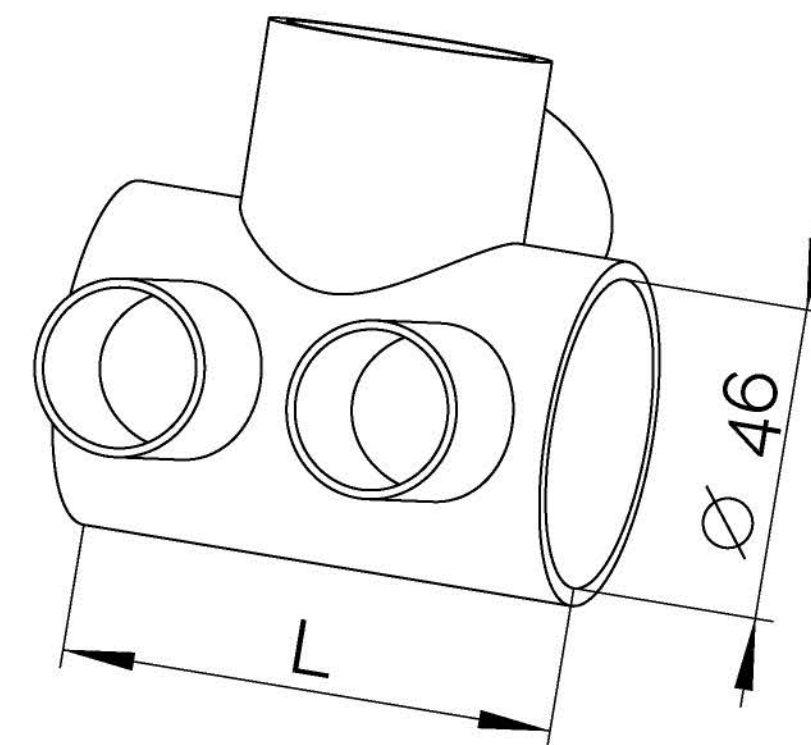
Step 7

Tighten the securing bolt (C) on the preload adjuster by using a 2mm HEX key. Recommended tightening torque: 1-1.5Nm.

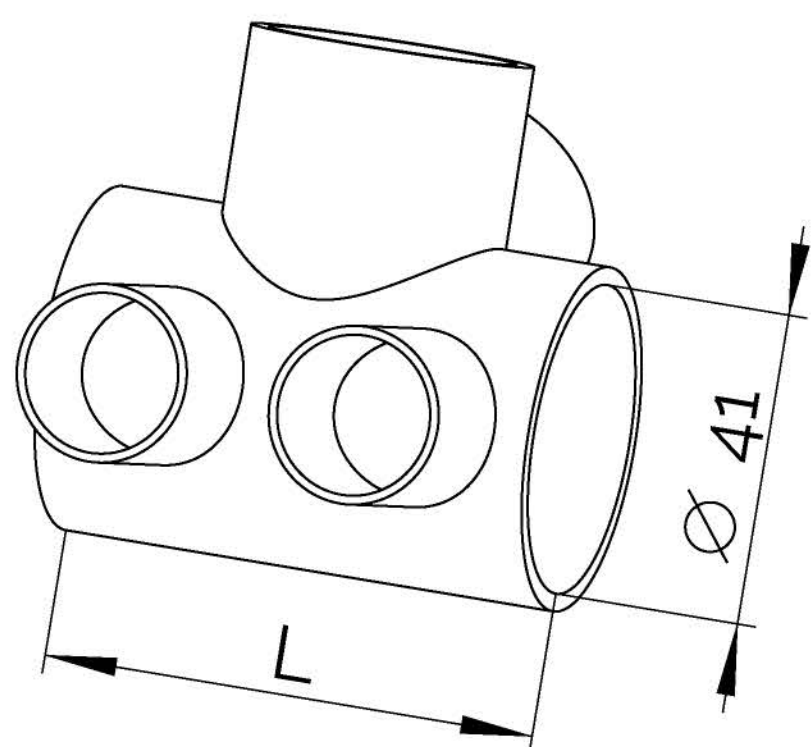
Bottom bracket compatibility table



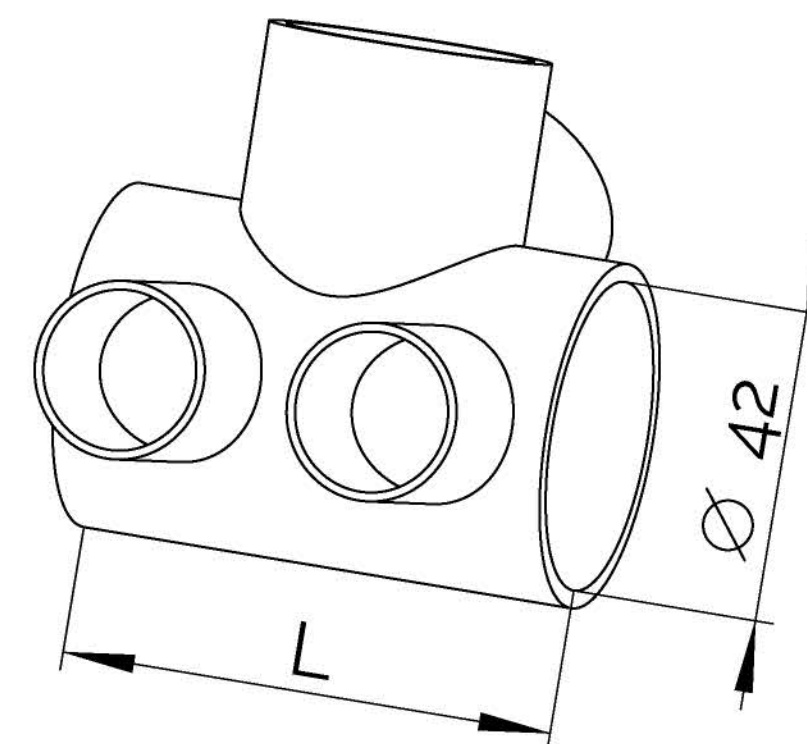
L	Bottom bracket standart BSA	Spacer
68	Raceface: BSA CINCH 30mm. Shell Width 68 mm.	-
73	Raceface: BSA CINCH 30mm. Shell Width 73 mm.	-
83	Raceface: BSA CINCH 30mm. Shell Width 83 mm.	-



L	Bottom bracket standart PF30	Spacer
68	Raceface: PF30 CINCH 30mm. Shell Width 68 mm.	-
73	Raceface: PF30 CINCH 30mm. Shell Width 73 mm.	-
83	Raceface: PF30 CINCH 30mm. Shell Width 83 mm.	-



L	Bottom bracket standart BB92	Spacer
89	Raceface: BB92 CINCH 30mm. Shell Width 89 mm.	-
92	Raceface: BB92 CINCH 30mm. Shell Width 92 mm.	-



L	Bottom bracket standart BB30	Spacer
73	BB30 bottom bracket	2x spacer F 2x spacer L
83	BB30 bottom bracket	2 spacer F