

# MAGURA MOUNTING GUIDE

## PLEASE NOTE

To use this chart align the Centre point X with the centre of the dropout of the fork or frame and rotate until the drawing of the appropriate mount aligns with the one on the frame or fork of the bike in question.

## POST MOUNT VERSIONS

### A. Post Mount, 74 mm centre to centre

Found on almost all newer fork models and many frame mounts it comes in 3 main sizes, (shown), 6" where the caliper fits directly to fit a 160 mm rotor. 7" where the caliper fits directly for use with a 180 mm rotor & 8" where the caliper fits directly for use with a 203 mm rotor. These sizes are without an adaptor. Variation. PM 5" frame mounts that fit with 140 mm rotors are also used on some cross country frames.

» All PM mounting sizes fit to standard PM calipers.

## INTERNATIONALE STANDARD VERSIONS

### B. IS 6", 51 mm centre to centre

Used as the standard mounting size for almost all forks and frames between 1999 and 2008 (except Manitou). IS front and rear wheel are different.

### C. IS 8" (IS front wheel), 51 mm centre to centre

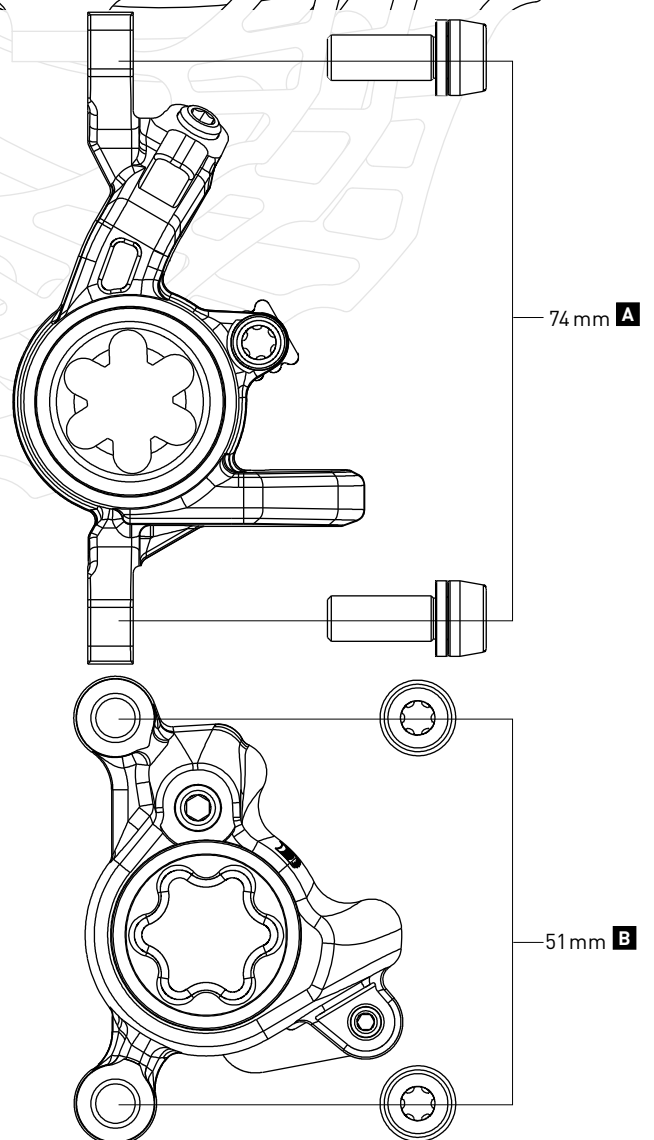
Used up until a few years ago on some DH forks and frames such as Marzocchi Monster, 888 and Fox 40.

» IS 8" fits to all standard IS calipers with 203 mm rotor.

### D. RockShox Boxxer (IS front wheel), 51 mm centre to centre

Similar to IS 8" this size was used almost only on the RockShox Boxxer fork up until 2010.

» RS Boxxer mount fits only with special adaptor or caliper.



# ADAPTERS



**QM 5** (37 g)  
IS-203-F



**QM 9** (50 g)  
IS-203-R



**QM 12** (30 g)  
IS-160-R / IS-180-F



**QM 44** (37 g)  
203 mm / PM 7"  
(MAGURA Thor)



**QM 45** (34 g)  
180 mm / PM 5"



**QM 40** (39 g)  
PM 160-180 /  
PM 140-160



**QM 41** (37 g)  
IS-180-R



**QM 42** (34 g)  
PM 160-203



**QM 43** (30 g)  
IS-160-F



**QM 50** (11 g)  
160 mm / FM front



**QM 51** (10 g)  
160 mm / FM rear

	Ø 160 mm	Order No.	Ø 180 mm	Order No.	Ø 203 mm	Order No.	Ø 220 mm	Order No.
<b>Fork</b>								
IS	QM 43	2 700 518	QM 12	0 722 426	QM 5	0 722 321		
PM 6"	direct		QM 40	2 700 515	QM 42	2 700 517		
PM 7"			direct		QM	2 701 967	QM 45	2 701 940
PM 8"					direct			
FM	QM 50	2 701 598						
<b>Frame</b>								
IS	QM 12	0 722 426	QM 41	2 700 516	QM 9	0 722 325		
<b>PM 5"</b>	QM 40	2 700 515	QM 45	2 701 940				
PM 6"	direct		QM 40	2 700 515	QM 42	2 700 517		
PM 7"			direct		QM 44	2 701 967	QM 45	2 701 940
PM 8"					direct			
FM	QM 51	2 701 600						