



Automatización Eléctrica
Especialistas en Automatización

At the end of this document you will find links to products related to this catalog. You can go directly to our shop by clicking [HERE](#). [HERE](#)

Features



Electronic voltage monitoring relays for single and three-phase applications

- Multifunctional types, providing the flexibility of monitoring Undervoltage, Overvoltage, Window Mode, Phase rotation, Phase loss, Asymmetry and Neutral loss
- Positive safety logic - Make output contact opens if the relay detects an error
- All functions and values can be easily adjusted by the selector and trimmer on front face
- "Blade + cross" – both flat blade and cross head screw drivers can be used to adjust the regulators and the function selector
- Colored LEDs for clear & immediate visual indication
- 1 CO relay output, 6 or 10 A
- Modular housing, 17.5 or 35 mm wide
- 35 mm rail (EN 60715) mount
- Cd-free contact material

Screw terminal



For outline drawing see page 8

Contact specification	70.11	70.31	70.41
Contact configuration	1 CO (SPDT)	1 CO (SPDT)	1 CO (SPDT)
Rated current/Maximum peak current A	10 / 30	6 / 10	6 / 10
Rated voltage/Max. switching voltage V AC	250 / 400	250 / 400	250 / 400
Rated load AC1 VA	2,500	1,500	1,500
Rated load AC15 VA	750	500	500
Single phase motor rating (230 V AC) kW	0.5	0.185	0.185
Breaking capacity DC1: 30/110/220 V A	10 / 0.3 / 0.12	6 / 0.2 / 0.12	6 / 0.2 / 0.12
Minimum switching load mW (V/mA)	300 (5 / 5)	500 (12 / 10)	500 (12 / 10)
Standard contact material	AgNi	AgNi	AgNi
Supply specification			
Nominal system voltage (U_N) V AC (50/60 Hz)	220...240	380...415	380...415
Rated power VA (50 Hz) / W	2.6 / 0.8	11 / 0.9	11 / 0.9
Operating range V AC (50/60 Hz)	130...280	220...510	220...510
Technical data			
Electrical life at rated load AC1 cycles	$80 \cdot 10^3$	$60 \cdot 10^3$	$60 \cdot 10^3$
Voltage detection level range V	170...270	300...480	300...480
Asymmetry detection level range %	—	—	4...25
Switch-off delay time (T on function diagrams) s	0.5...60	0.5...60	0.5...60
Switch-on lock-out time s	0.5	1	1
Switch-on hysteresis (H on function diagrams) V	5 (L-N)	10 (L-L)	10 (L-L)
Power-on activation time s	≈ 1	≈ 1	≈ 1
Insulation between supply and contacts (1.2/50 μ s) kV	4	4	4
Dielectric strength between open contacts V AC	1,000	1,000	1,000
Ambient temperature $^{\circ}$ C	-20...+60	-20...+60	-20...+60
Protection category	IP20	IP20	IP20
Approvals (according to type)		 	

Features





Electronic phase loss and rotation monitoring relays for three-phase applications

- Universal voltage monitoring (U_N from 208 V to 480 V, 50/60 Hz)
- Phase loss monitoring, even under phase regeneration
- Positive safety logic - Make contact opens if the relay detects an error
- 2 versions:
 - 1 CO relay output, 6 A (17.5 mm wide), and
 - 2 CO relay output, 8 A (22.5 mm wide)
- 35 mm rail (EN 60715) mount
- European patent pending for the innovative principle at the root of the 3 phase monitoring and error survey system (70.61)

Screw terminal



For outline drawing see page 8

Contact specification		70.61	70.62
Contact configuration		1 CO (SPDT)	2 CO (DPDT)
Rated current/Maximum peak current	A	6 / 15	8 / 15
Rated voltage/Max. switching voltage	V AC	250 / 400	250 / 400
Rated load AC1	VA	1,500	2,000
Rated load AC15	VA	250	400
Single phase motor rating (230 V AC)	kW	0.185	0.3
Breaking capacity DC1: 30/110/220 V	A	3 / 0.35 / 0.2	8 / 0.3 / 0.12
Minimum switching load	mW (V/mA)	500 (10 / 5)	300 (5 / 5)
Standard contact material		AgCdO	AgNi
Supply specification			
Nominal system voltage (U_N)	V AC (50/60 Hz)	208...480	208...480
Rated power	VA (50 Hz) / W	8 / 1	11 / 0.8
Operating range	V AC (50/60 Hz)	170...500	170...520
Technical data			
Electrical life at rated load AC1	cycles	$100 \cdot 10^3$	$60 \cdot 10^3$
Switch-off delay time	s	0.5	0.5
Switch-on lock-out time	s	0.5	0.5
Power-on activation time	s	< 2	< 2
Insulation between supply and contacts (1.2/50 μ s)	kV	5	5
Dielectric strength between open contacts	V AC	1,000	1,000
Ambient temperature	$^{\circ}$ C	-20...+60	-20...+60
Protection category		IP20	IP20
Approvals (according to type)		  	

70.61

Three-phase (208...480 V)
voltage monitoring:

- Phase loss
- Phase rotation

 70.62
Three-phase (208...480 V)
voltage monitoring:

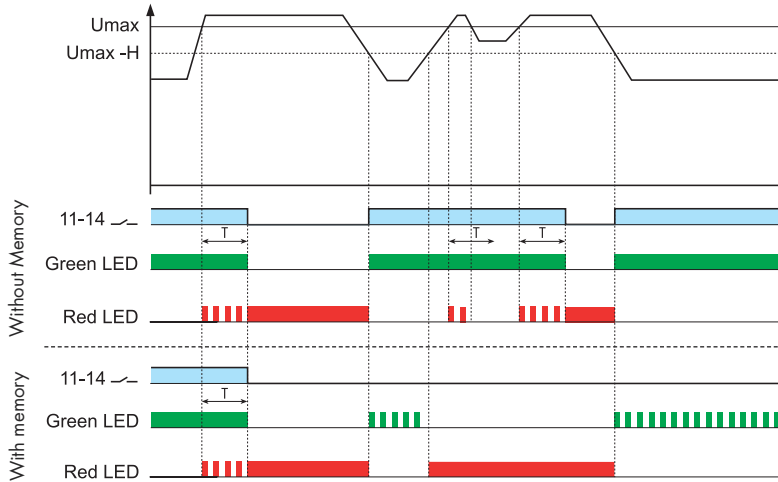
- Phase loss
- Phase rotation

Functions

Output relay On (NO closed) when all OK: positive logic.

Type
70.11
70.31

Overvoltage (OV and OVm functions)



Functions

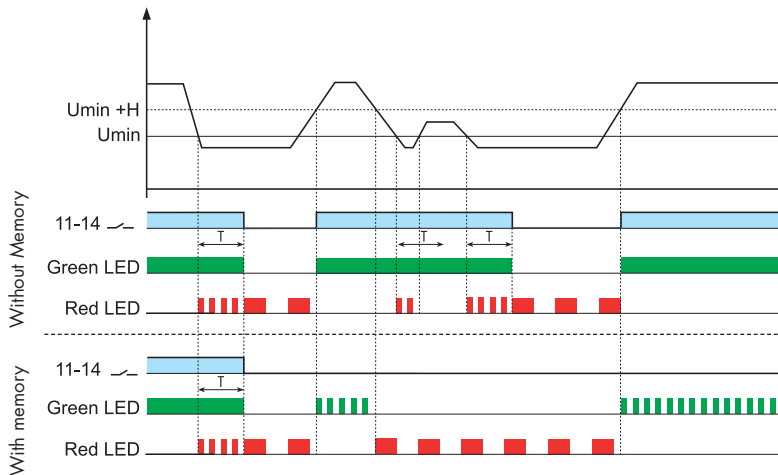
- = Output contact (11-14)
- OV = Overvoltage
- OVm = Overvoltage with memory
- UV = Undervoltage
- UVm = Undervoltage with memory
- W = Window mode (OV + UV)
- Wm = Window mode (OV + UV) with memory
- H = Hysteresis

If the voltage moves out of limits, following delay **T** the output relay turns Off.

- When the voltage is again within limits (\pm the Switch-on hysteresis **H**):
- if set in the "without memory" position, the output relay "recovers", i.e. it turns On (after the Switch-on lock-out time) without any memory of the previous event.
 - if set in the "with memory" position (70.11 and 70.31 only), the output relay remains open. To reset, it is necessary to switch the supply Off and then On again, or to rotate the selector first to an adjacent position and then to the original position.

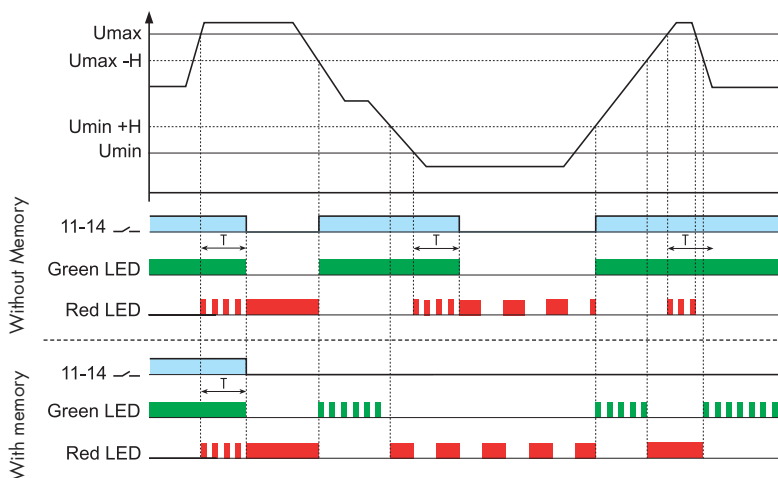
Type
70.11
70.31

Undervoltage (UV and UVm functions)



Type
70.11
70.31
70.41
(70.41 without memory)

Window mode (overvoltage + undervoltage, W and Wm functions)



Functions

Output relay On (NO closed) when all OK: positive logic.

<p>Type 70.31 70.41 70.61 70.62</p>	<p>Phase loss and phase rotation</p>	<p>If the sequence (L1, L2, L3) is incorrect at power-on, the output relay will not turn-on.</p> <p>If a phase is lost, the output relay turns off immediately. When the phase is again active, the output relay turns on immediately.</p> <p>For types 70.61 and 70.62: Phase loss monitoring possible even under regeneration up to 80% of the average of the other 2 phases.</p>
<p>Type 70.41</p>	<p>Neutral loss and asymmetry</p>	<p>If the neutral is lost (and the Neutral control function is set), the output relay turns off immediately. When the neutral is again present, the output relay turns on immediately.</p> <p>If the asymmetry $(U_{max} - U_{min})/U_N$ is above the % set value, the output relay turns off after the set delay T. When the asymmetry is again below the % set value (with a fixed hysteresis of approximately 2%), the output relay turns on after the Switch-on lock-out time.</p>

Front view: function selector and regulators

<p>70.11</p> <p>Functions: OV, OVm, UV, UVm, W, Wm</p> <p>T_{off} delay: (0.5...60) sec</p> <p>U_{Max}: (220...270) V</p> <p>U_{Min}: (170...230) V</p>	<p>70.31</p> <p>Functions: OV, OVm, UV, UVm, W, Wm</p> <p>U_{Max}: (380...480) V</p> <p>U_{Min}: (300...400) V</p> <p>T_{off} delay: (0.5...60) sec</p>	<p>70.41</p> <p>N = With N-line monitoring N = Without N-line monitoring</p> <p>U_{Max}: (380...480) V</p> <p>(4...25) % U_N</p> <p>U_{Min}: (300...400) V</p> <p>T_{off} delay: (0.5...60) sec</p>
---	---	--

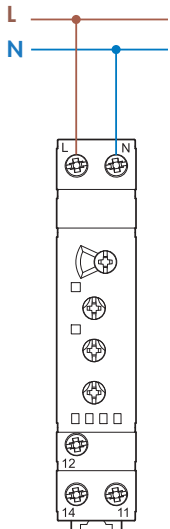
LED indication

Monitoring relay Type	LED	Supply system normal	Supply system abnormal (Voltage out of limits, switch-off delay time T running)	Supply system abnormal (Reason for switch-off, RESET necessary when "with Memory"* is selected)
		Contact 11 - 14 closed	Contact 11 - 14 closed	Contact 11-14 open
70.11.8.230.2022	<ul style="list-style-type: none"> • • 			<ul style="list-style-type: none"> Overvoltage OV and OVm Undervoltage UV and UVm With Memory, following a failure a manual "RESET" ** is necessary
70.31.8.400.2022	<ul style="list-style-type: none"> • • • 			<ul style="list-style-type: none"> Overvoltage OV and OVm Undervoltage UV and UVm Phase loss Phase rotation With Memory, following a failure a manual "RESET" ** is necessary
70.41.8.400.2030	<ul style="list-style-type: none"> • • • 			<ul style="list-style-type: none"> Overvoltage OV Undervoltage UV Asymmetry Phase loss Neutral loss Phase rotation
70.61.8.400.0000	<ul style="list-style-type: none"> • 			Phase rotation or Phase loss
70.62.8.400.0000	<ul style="list-style-type: none"> • 			<ul style="list-style-type: none"> Phase loss Phase rotation

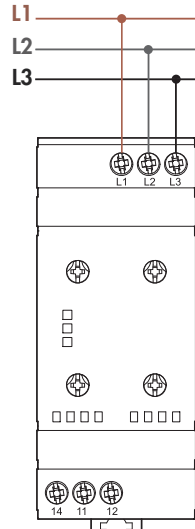
* The function "with Memory" is only available for type 70.11 and 70.31.

** It is necessary to switch the supply OFF and then On again (U off U on) or to rotate the function selector first to an adjacent position and then to the original position.

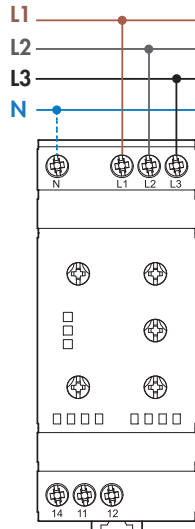
Wiring diagrams



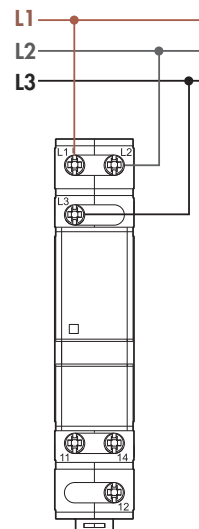
Type 70.11



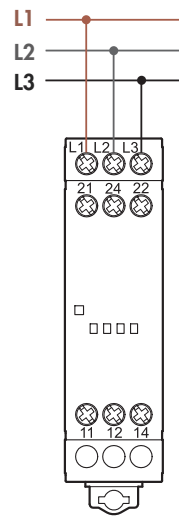
Type 70.31



Type 70.41



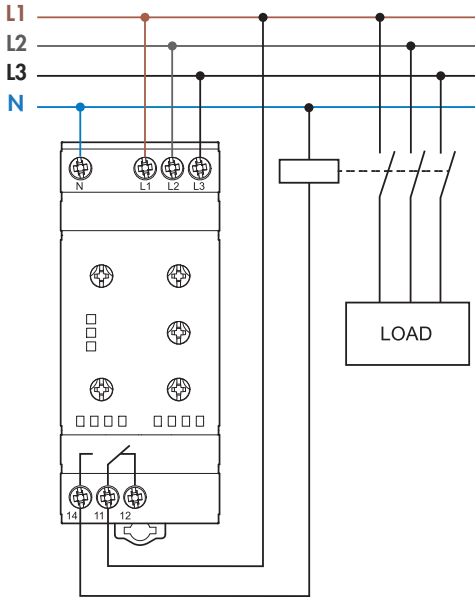
Type 70.61



Type 70.62

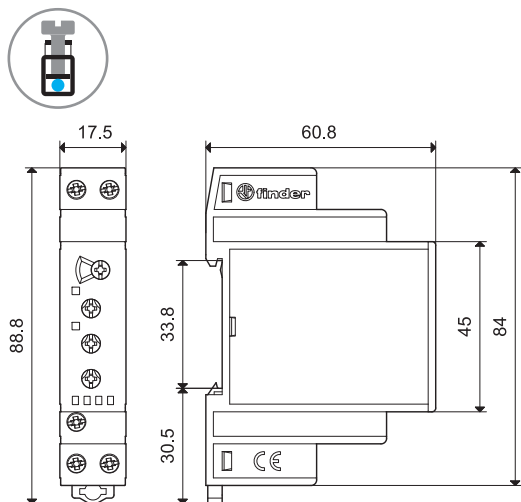
Application example

The output contact switches the coil of the line contactor.

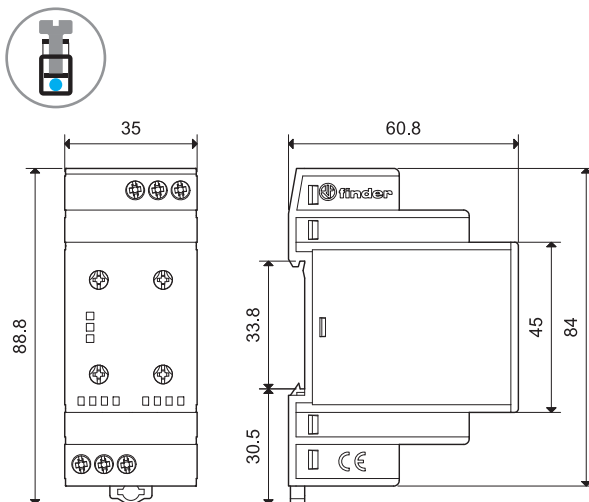


Outline drawings

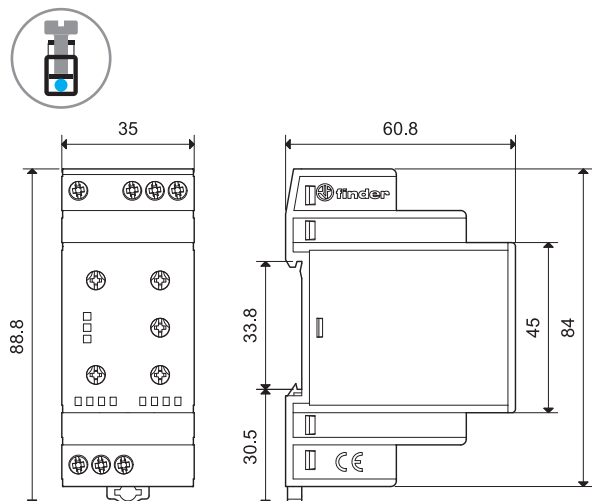
70.11
Screw terminal



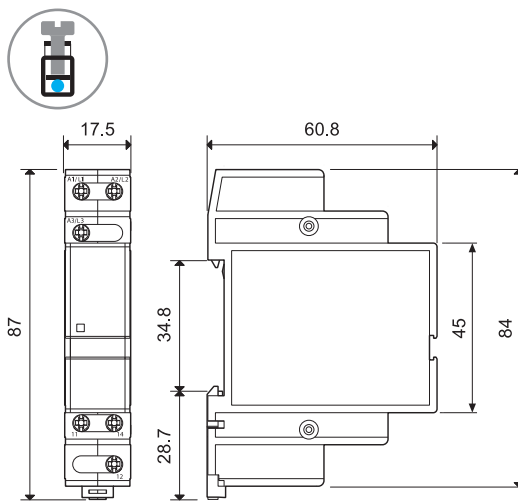
70.31
Screw terminal



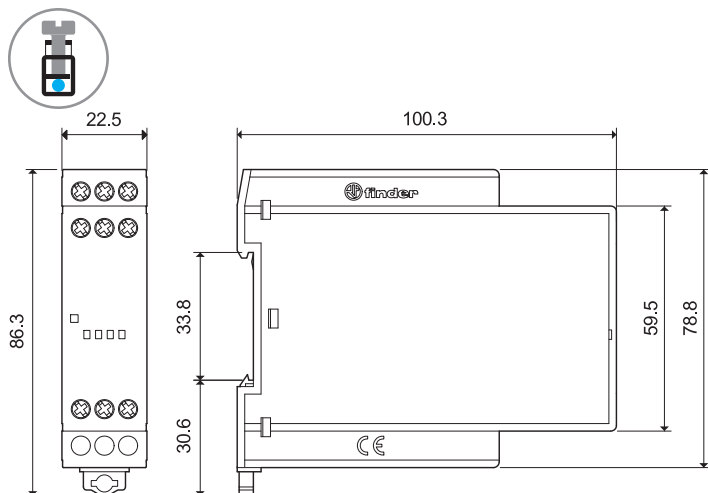
70.41
Screw terminal



70.61
Screw terminal



70.62
Screw terminal



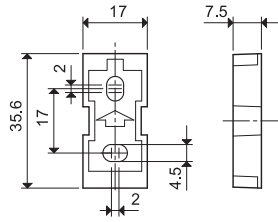
Accessories



020.01

Adaptor for panel mounting, plastic, 17.5 mm wide for 70.11 and 70.61

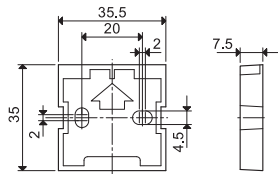
020.01



011.01

Adaptor for panel mounting, plastic, 35 mm wide for 70.31 and 70.41

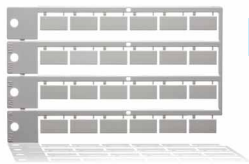
011.01



060.72

Sheet of marker tags, plastic, 72 tags, 6x12 mm for 70.11, 70.31, 70.41 and 70.62

060.72



020.24

Sheet of marker tags, plastic, 24 tags, 9x17 mm for 70.61

020.24



019.01

Identification tag, plastic, 1 tag, 17x25.5 mm for 70.11, 70.31 and 70.41

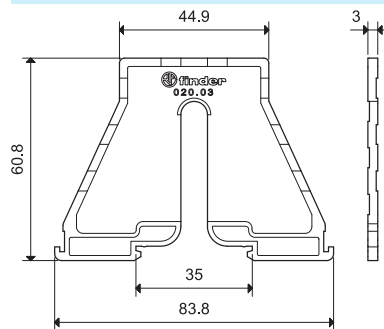
019.01



020.03

Separator for rail mounting, plastic, 3 mm wide

020.03



Below is a list of articles with direct links to our shop Electric Automation Network where you can see:

- Quote per purchase volume in real time.
- Online documentation and datasheets of all products.
- Estimated delivery time enquiry in real time.
- Logistics systems for the shipment of materials almost anywhere in the world.
- Purchasing management, order record and tracking of shipments.

To access the product, [click on the green button.](#)

Product	Code	Reference	Product link
1-phase Under/Over voltage or window mode adjustable - 17,5mm wide - 1CO 6A	701182302022	70.11.8.230.2022	Buy on EAN
1-phase Under/Over voltage or window mode adjustable - 17,5mm wide - 1CO 6A	701182302022PAS	70.11.8.230.2022PAS	Buy on EAN
3-phase Under/Over voltage or window mode adjustable, phase failure, phase rotation - 36mm wide - 1CO 6A	703184002022	70.31.8.400.2022	Buy on EAN
3-phase Under/Over voltage or window mode adjustable, phase failure, phase rotation - 36mm wide - 1CO 6A	703184002022PAS	70.31.8.400.2022PAS	Buy on EAN
3-phase Under/Over voltage or window mode adjustable, phase failure, phase rotation, assymetry, neutral monitoring - 36mm wide - 1CO 6A	704184002030	70.41.8.400.2030	Buy on EAN
3-phase Under/Over voltage or window mode adjustable, phase failure, phase rotation, assymetry, neutral monitoring - 36mm wide - 1CO 6A	704184002030PAS	70.41.8.400.2030PAS	Buy on EAN
3 - phase Rotation and phase loss monitoring relay	706184000000	70.61.8.400.0000	Buy on EAN
3 - phase Rotation and phase loss monitoring relay	706184000000PAS	70.61.8.400.0000PAS	Buy on EAN
3 - phase Rotation and phase loss monitoring relay; 2CO; modular 22,5 wide	706284000000	70.62.8.400.0000	Buy on EAN