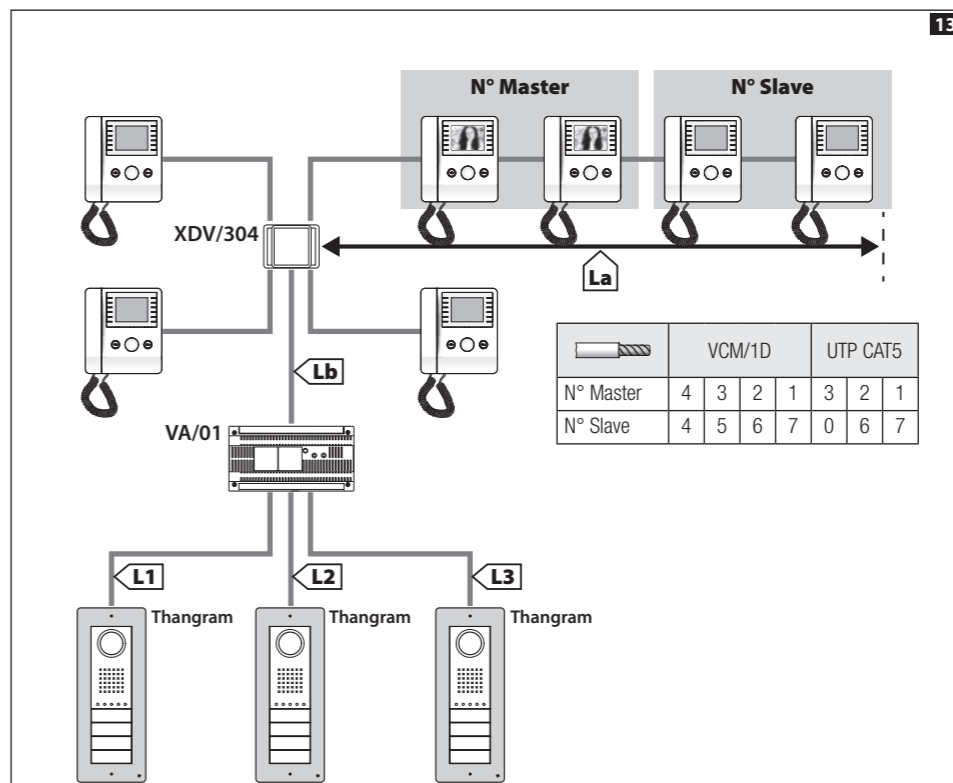
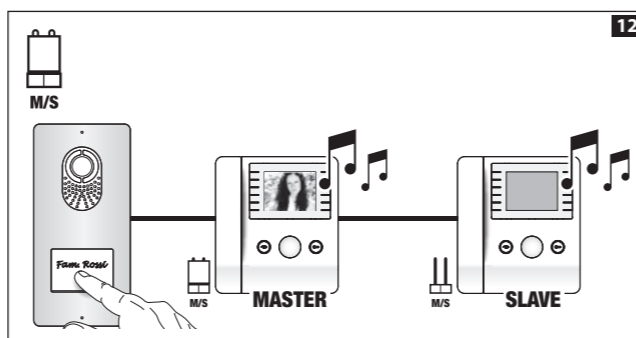
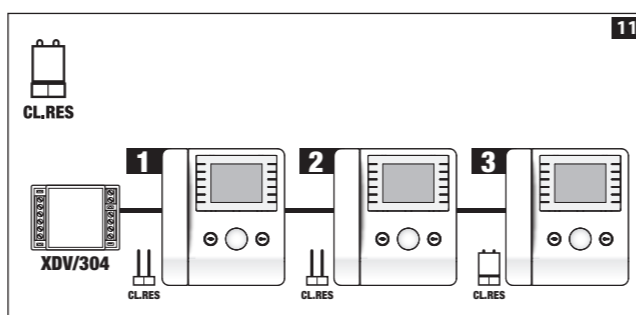
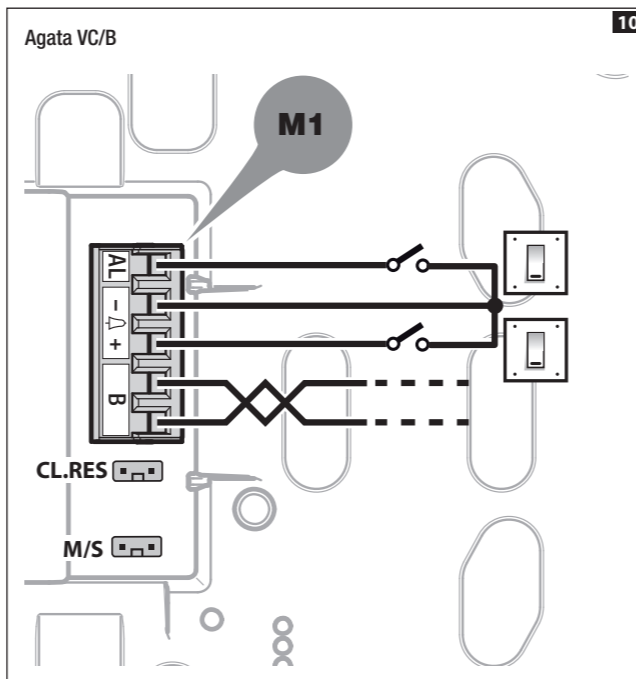
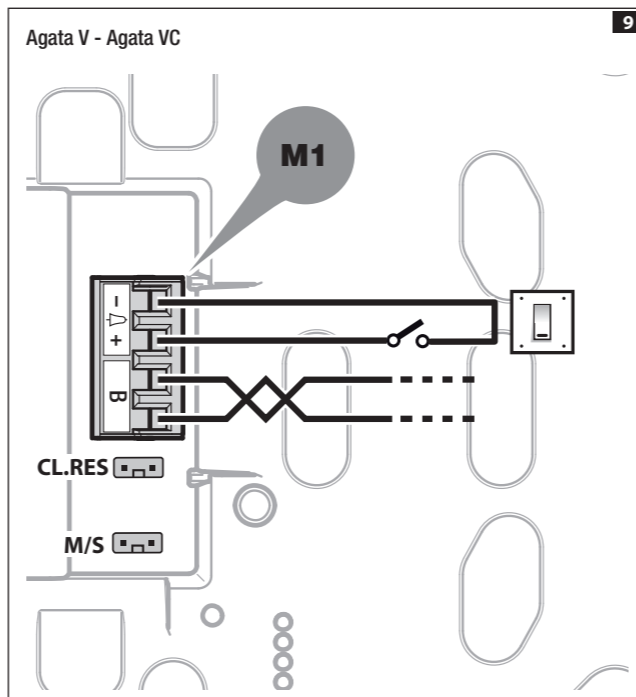
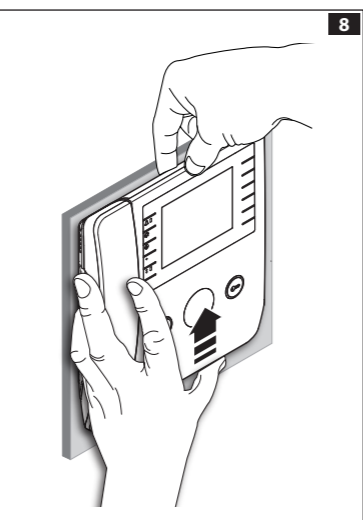
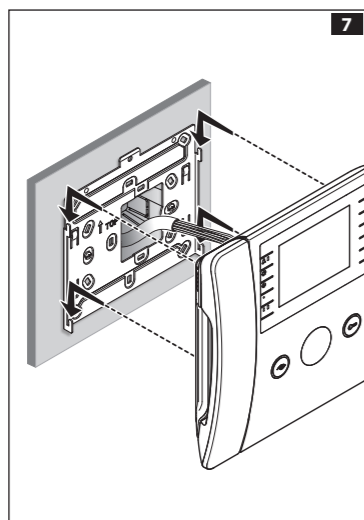
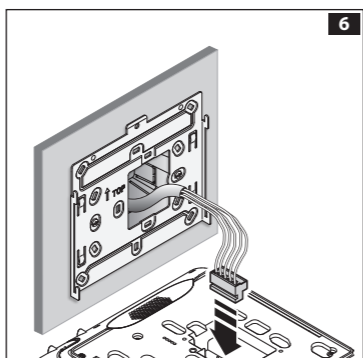
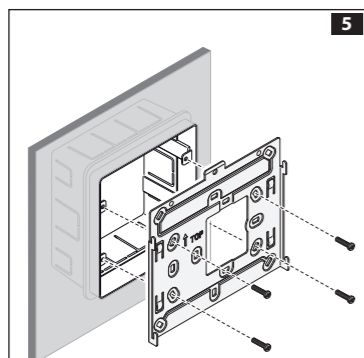
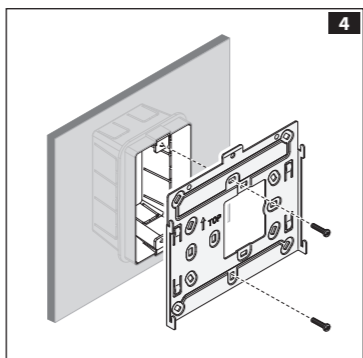
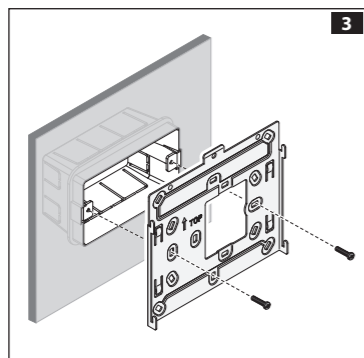
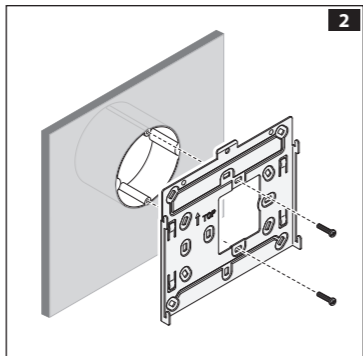
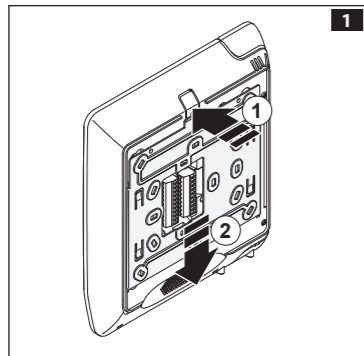
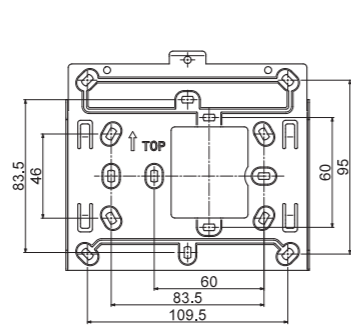
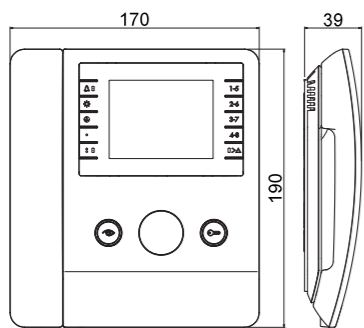


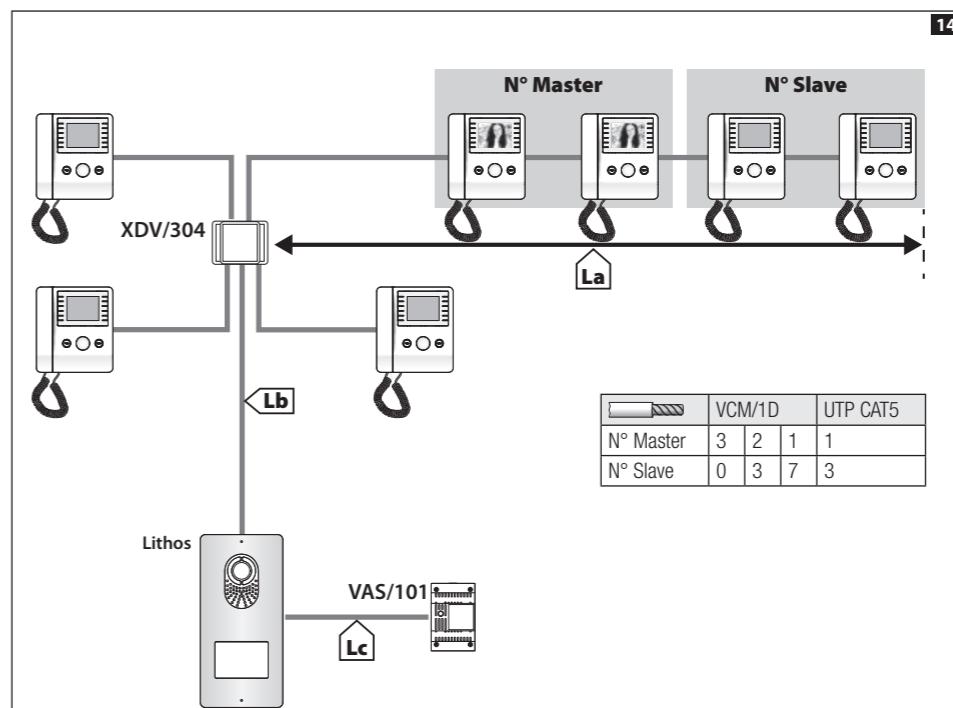


- IT Italiano
- EN English
- FR Français
- RU Русский

**CAME S.P.A.**  
Via Martiri Della Libertà, 15  
31030 - Dosson di Casier  
Treviso - Italy



	VCM/1D	VCM/2D	UTP/CAT 5	2x2,5mm <sup>2</sup>
La+Lb	≤100 m	-	≤60 m	-
L1, L2, L3	-	≤100 m	-	-
L1+L2+ L3	-	≤300 m	-	-
La + Lb + L1(L2, L3)	≤150 m			-
La + Lb + L1 + L2 + L3	≤600 m			-



	VCM/1D	VCM/2D	UTP/CAT 5	2x1mm <sup>2</sup>	2x2,5mm <sup>2</sup>
La+Lb	≤100 m	-	≤100 m	-	-
Lc	-	-	-	≤25 m	≤60 m
La+Lb+Lc	≤100 m			-	-

