

# PLATE MOUNTED AXIAL FLOW FANS

## HXM Series

**Distributor:**  
**CALOR SRL**  
 Str. Progresului nr. 30-40, sector 5, Bucuresti  
 tel: 021.411.44.44, fax: 021.411.36.14  
 www.calorserv.ro - www.calor.ro

The HXM plate mounted axial flow fans are manufactured from pressed galvanised steel and protected from **corrosion by a beige epoxy-polyester paint finish.**

All models include a steel finger proof guard as standard mounted to the inlet side of the fan. Impellers are manufactured from galvanised steel sheet and finished with black polyester paint.

### Motor

HXM-200 to HXM-350: Single phase speed controllable motor 230V-50/60Hz equipped with thermal protection, IP44, Class B insulation, flexible cable (length: 50cm) for connection to the electrical supplies and ball bearings greased for life.

HXM-400: External rotor motor, IP44, Class F insulation, fitted with thermal protection and wiring terminal box.

### Additional Information

Standard air direction: form (A) configuration (Motor over Impeller).

HXM

Plate mounted axial flow fans



Configuration model HXM-400

Provided with cable for connection to the electrical supplies

HXM-400 model terminal box



Motor protected from corrosion by epoxy-polyester paint finish. Cable to ease connection to electrical supplies (except for HXM-400 model)



Wiring terminal box including the capacitor

## APPLICATIONS

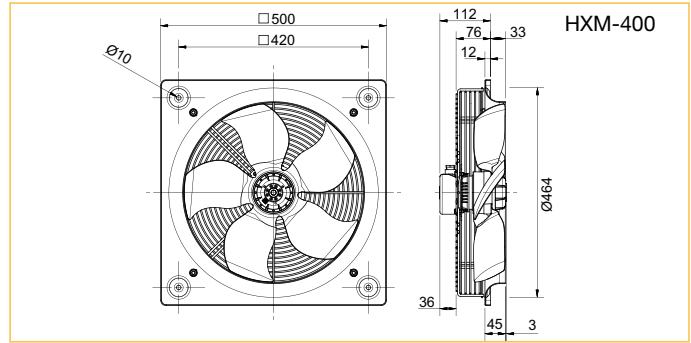
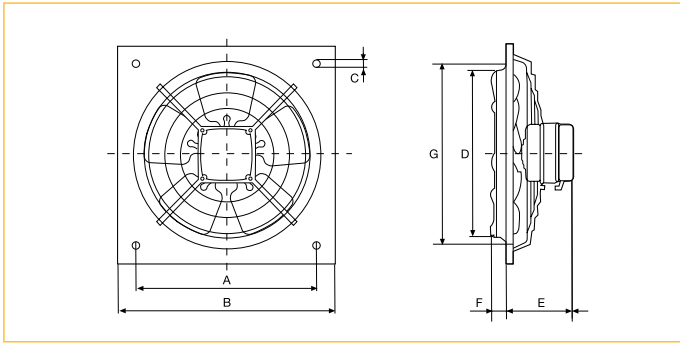


### Technical characteristics

Before making any electrical connection ensure that the voltage and frequency of the mains electrical supply matches that of the fan data plate label.

| Model   | Speed<br>(r.p.m.) | Maximum absorbed power<br>(W) | Maximum absorbed current<br>(A) | Maximum air volume<br>(m <sup>3</sup> /h) | Working temperature<br>(°C) | Sound pressure level at 3 m<br>(dB(A)) | Weight<br>(Kg) |
|---------|-------------------|-------------------------------|---------------------------------|---|-----------------------------|--|----------------|
| HXM-200 | 1300              | 16                            | 0,08                            | 500                                       | -15/+40                     | 36                                     | 1,8            |
| HXM-250 | 1300              | 22                            | 0,10                            | 900                                       | -15/+40                     | 42                                     | 2,2            |
| HXM-300 | 1300              | 34                            | 0,15                            | 1400                                      | 0/+40                       | 48                                     | 3,2            |
| HXM-350 | 1300              | 40                            | 0,17                            | 1800                                      | 0/+40                       | 53                                     | 4,3            |
| HXM-400 | 1065              | 170                           | 0,70                            | 3400                                      | -40/+60                     | 57                                     | 7,3            |

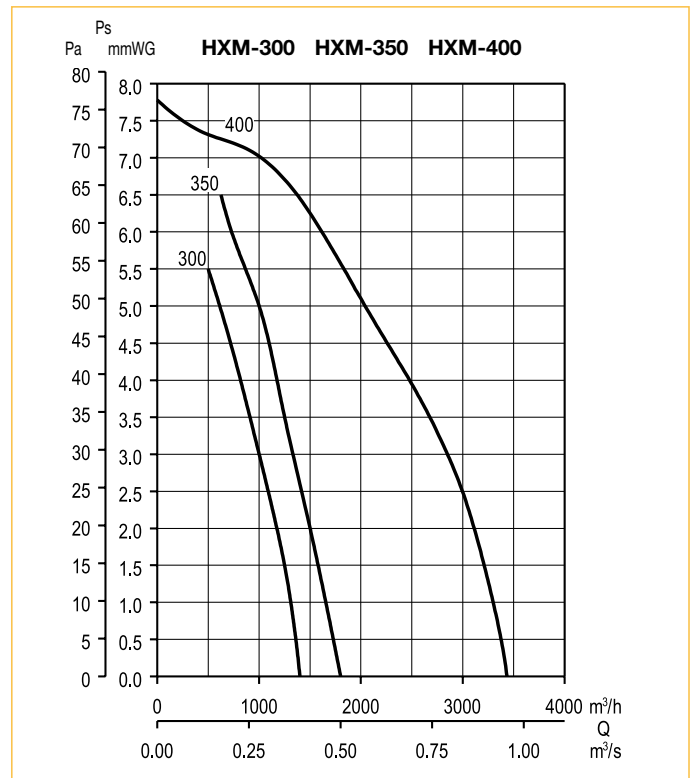
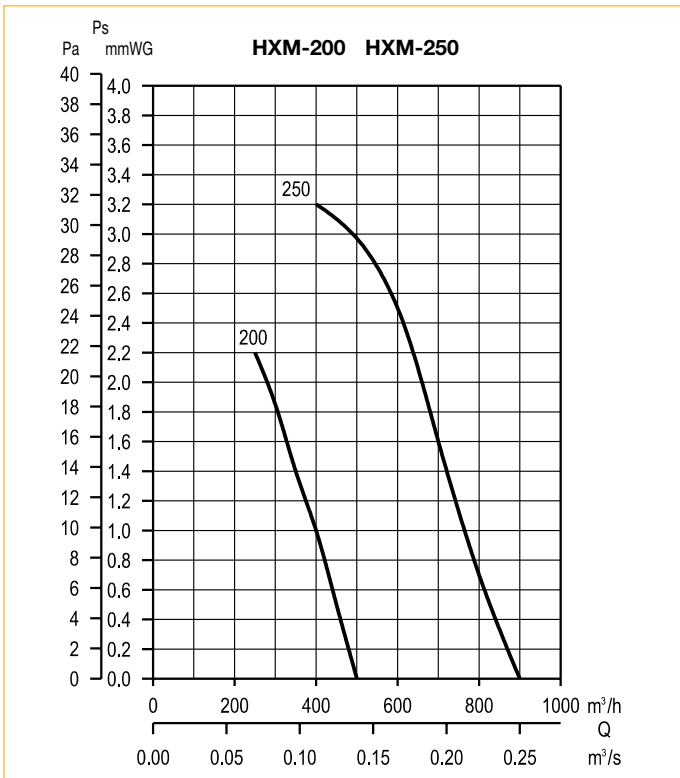
## ■ Dimensions (mm)



| Model   | A     | B   | Ø C  | Ø D | E   | F    | Ø G |
|---------|-------|-----|------|-----|-----|------|-----|
| HXM-200 | 222   | 266 | 9    | 205 | 88  | 19   | 211 |
| HXM-250 | 275,5 | 333 | 9    | 255 | 99  | 31   | 261 |
| HXM-300 | 336,5 | 400 | 10,5 | 305 | 99  | 35,5 | 311 |
| HXM-350 | 390   | 465 | 10,5 | 361 | 106 | 34,5 | 371 |

## ■ Performance curves

- Q = Air volume in, m<sup>3</sup>/hr and m<sup>3</sup>/s.
- Ps = Static pressure in mmWG and Pa.
- Dry air at 20°C and 760 mmHg.
- Performance data in accordance with ISO 5801 and AMCA 210-99 Standards.



## ■ Mounting accessories



| Model   | Back draft Shutters |              |
|---------|---------------------|--------------|
|         | Plastic             | Metal        |
| HXM-200 | PER - 200 W         | PER - 250 CN |
| HXM-250 | PER - 250 W         | PER - 250 CN |
| HXM-300 | PER - 355 W         | PER - 355 CN |
| HXM-350 | PER - 355 W         | PER - 355 CN |
| HXM-400 | PER - 400 W         | PER - 400 CN |

## ■ Electrical accessories



**REB**  
Electronic,  
single phase  
speed  
controller



**RMB**  
Auto transformer,  
single phase  
speed controller