

# AM 2080

## INTEGRATED AMPLIFIER



## DESCRIPTION

AM 2080 is a 80 W mixer-amplifier, with 2 mic-line audio inputs on removable connectors (the first input also has an XLR socket) and 2 aux inputs for music sources (e.g. CD players, tuners, etc.). The input 2 also has an RJ 45 port for quick connection of an RCF BM 3001 paging microphone (through CAT5 cable). The amplifier output is available either for low impedance loudspeakers (min. 4  $\Omega$ ) or 100 – 70 V constant voltage line (for loudspeakers having 100 – 70 V transformers). The input 1 has a signal detection circuit ('VOX') providing automatic priority operation.

The inputs 1 and 2 can access the priority through an external command (connected to either the removable connector or the RJ 45 port).

A 'MUSIC ON HOLD' aux output allows to send the music (the AUX INPUT A signal) to additional amplifiers, mixers, phone systems ('music on hold' function), etc. .

A 'PRE OUT' aux output is useful to send the signal (the same routed to the internal amplifier) to additional amplifiers.

The 2 mic-line inputs have a high-pass filter (with a common on/off dip-switch) that are useful to improve speech intelligibility.

The 2 aux inputs have independent tone controls (common for both aux inputs).

Front panel LEDs indicate the device state (ON, PROT), priority circuit enabled (PRIOR) and the signal level / peak (SIG/PK).

## MAIN FEATURES

- Full digital technology amplifier, 80 W RMS
- 70 – 100 V / 4  $\Omega$  outputs
- 2 universal inputs with phantom power supply facility and high-pass filter
- RJ45 port on input 2 for connection of a BM3001 paging microphone
- Screw terminal connections, additional XLR (INPUT 1) and RJ45 (INPUT 2) connectors
- Configurable priority settings, VOX facility on input 1
- 2 selectable aux inputs with volume and tone controls for 2 music sources
- Selectable single or dual tone chime generator
- Music On Hold and PRE outputs
- Status / Priority / Audio Level LED indications

## MAIN APPLICATIONS

- Restaurants
- Boutiques
- Pubs
- Beauty Centres
- Markets
- Hotels
- Office buildings
- Medical centres

## SPECIFICATIONS

### AMPLIFIER

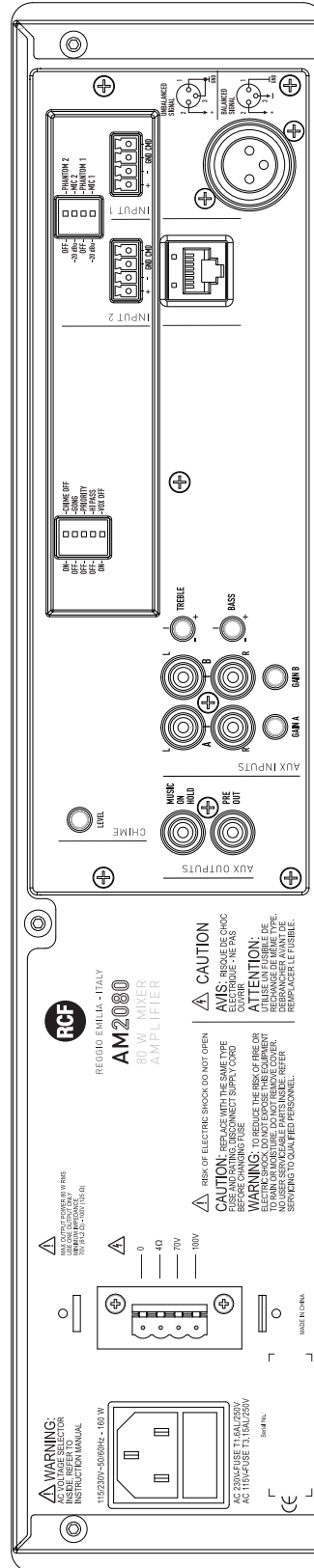
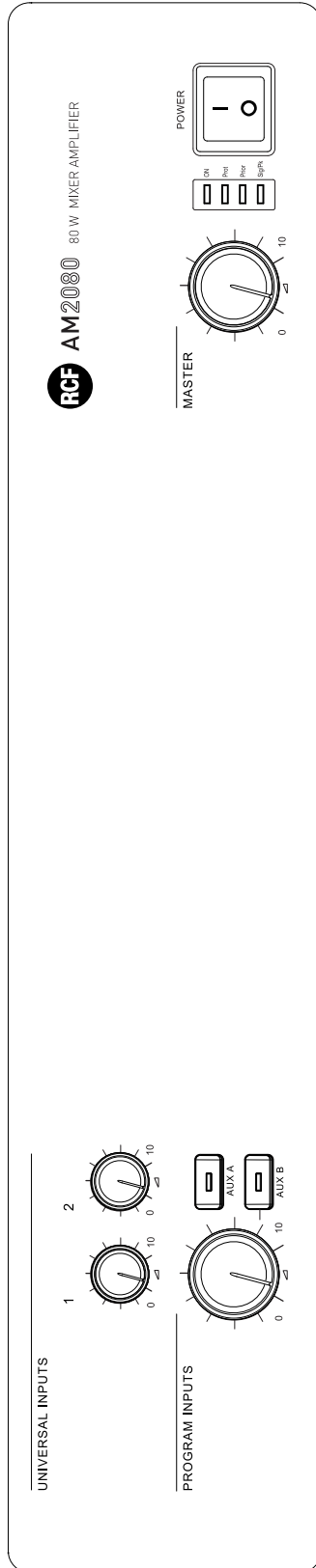
Output power	80 W RMS
Frequency response ( $\pm 3$ dB)	50 Hz $\div$ 16 kHz
Channels 1 – 2, signal / noise ratio	60 dB
Aux input, signal / noise ratio	80 dB
Distortion	< 0,3 % (at 1 kHz, nominal power)
AUX Input tone controls	- 9 $\div$ + 6 dB @ 100 Hz (bass) - 14 $\div$ + 8 dB @ 10 kHz (treble)
High-pass filter (channels 1, 2)	150 Hz
Main input High-pass filter	150 Hz
Input Sensitivity (balanced)	Balanced, - 62 dBu (max - 25 dBu) Micro Balanced, - 29 dBu (max + 11 dBu) Line
AUX Input Sensitivity	Adjustable, - 18 $\div$ + 20 dBu
Input Impedance	10 k $\Omega$ (Channels 1,2); 20 k $\Omega$ (Aux Inputs);
Phantom power	30 V / 18 mA
AUX Output level	0 dBm
Loudspeaker Outputs	4 $\Omega$ (Low impedance) 70 V (63 $\Omega$ )/100 V (125 $\Omega$ ) (Constant voltage)

Amplifier protections	Overload, Short circuit, Thermal
Protections Amplifier	Overload, Short circuit, Thermal
Protections Power supply	Fuses AM 2160 (T3.15AL - 250 V T6.3AL - 250 V) Fuses AM 2320 (T5AL - 250 V ;T10AL - 250 V)
Protections Power supply	Fuses (T1.6AL - 250 V ; T3.15AL - 250 V)
Operating voltage	230 - 115 V ~ , 50 - 60 Hz
Max. power consumption	160 W
Dimensions (w, h, d)	442 mm, 88 mm, 230 mm (19" rack, 2 units)
Net weight	3.8 kg
Operating temperature	0 $\div$ +55 $^{\circ}$ C
Relative humidity	90% non condensing



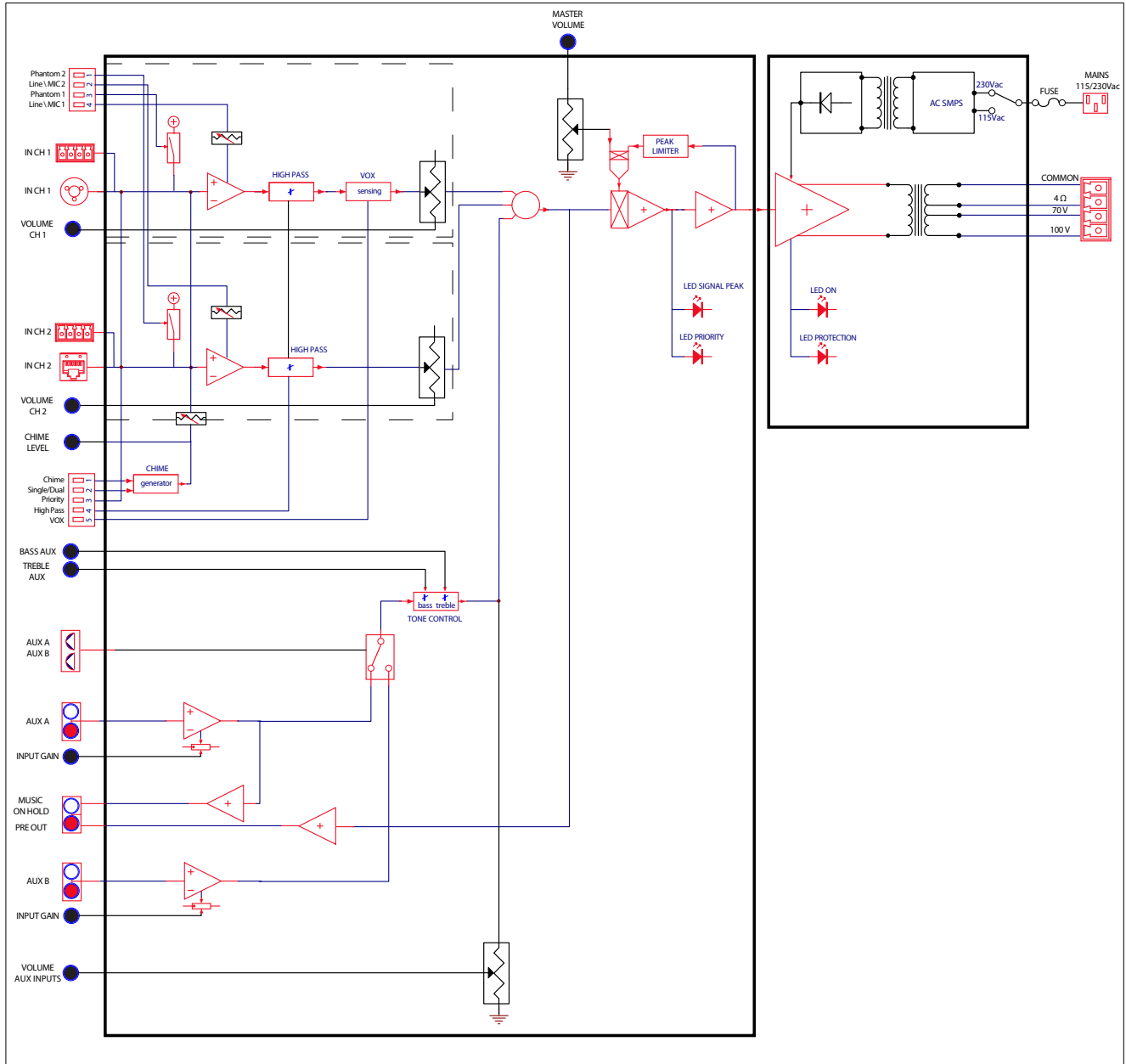
# AM 2080

## FRONT PANEL & REAR PANEL



# AM 2080

## SCHEMATICS

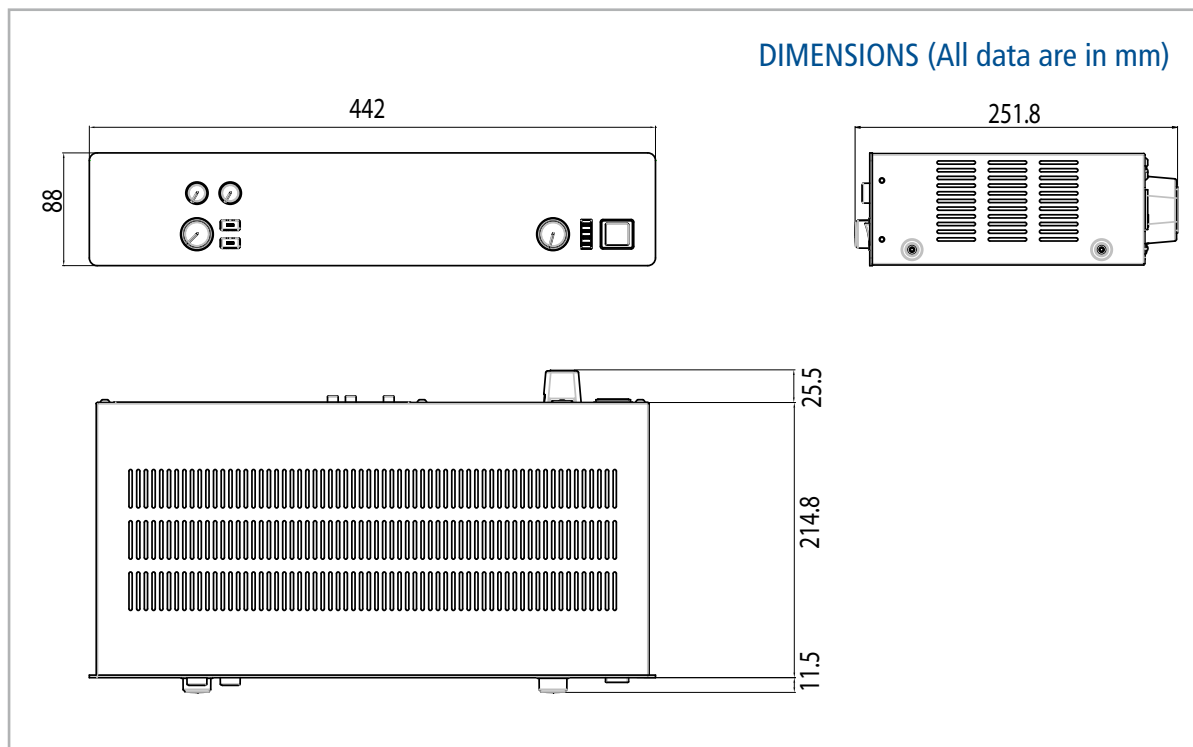


# AM 2080

## PART NUMBERS

AM 2080 - 12135062

1.01-A



## INSTALLATION NOTES

AM 2080 has 4 footpads for desk-top positioning. To ensure proper heat dissipation, leave 0.1 m (4") clearances between the amplifier and walls or other components.

AM 2080 can be mounted into a 19" rack cabinet (2 units each) through the included rack ears. In this case, it is necessary to add 2 P/AER-1V (1 unit) panels (one above and one below the amplifier) to ensure proper air circulation and heat dissipation.

## ACCESSORIES (included)

- 2 audio input 4-pole removable connectors
- 1 amplifier output 4-pole removable connector
- Safety protection cover for amplifier outputs
- Rack ears with screws
- AC power cord
- User's guide
- Quick start instructions
- Warranty card

## CERTIFICATIONS AND APPROVALS

- CE: it complies with European Community 2006/95/CE LVD and 2004/108/CE EMC
- Electromagnetic immunity according to IEC EN 55013+A1+A2, IEC EN 55020+A2+EC, EN 61000-3-2, EN 61000-3-3+A1
- Electronic apparatus safety requirements according to IEC EN 60065:2002

## ACCESSORIES (not included)

- BM 3001 paging microphones with CAT5 cable and RJ 45 connector (code 143 22 008)



[www.rcf.it](http://www.rcf.it)